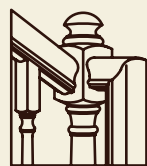


# LEEPER'S

STAIR PRODUCTS  
a division of *L.J. Smith Stair Systems*



**L.J. Smith**<sup>®</sup>  
**Stair Systems**



(858) 614-1800

## Product & Pricing Guide

Effective January 6, 2014

# Letter to Customers



In the summer of 2011, after competing for many years, L.J. Smith and Leepers merged together to become the premier stair parts manufacturer in the western United States. This merger has blended the strengths of both companies to create a stair parts supplier that can now offer the finest quality and broadest product offering available anywhere. Additional benefits include, local manufacturing, fast lead times, complete custom product manufacturing, superior customer service, and professional outside sales representation. Our financial strength allows L.J. Smith/Leepers to invest in the people, inventory, and machinery required to make us the most trusted and reliable supplier. Combined, L.J. Smith and Leepers have been in business for nearly 200 years. Both companies have learned a thing or two and it is exciting to have joined forces to become an even better supplier to our valued customers.

This new price list represents a consolidation of the Leepers and L.J. Smith product lines. Since it is unnecessary and confusing to offer multiple profiles for the same part (for example, a LJ-4040 and a Leepers 4040) we have eliminated the redundancy of offering multiple versions of the same item. To that end, many of the items in this price list are the Leepers version with corresponding part number. L.J. Smith items and corresponding part numbers are also featured to create a truly complete stair parts offering. In this price list you will note the L.J. Smith items generally have an "LJ" or "S" prefix preceding the part number.

**Returns are limited to stock purchased within the last 30 calendar days.**

**All returns of non defective goods must be in new condition and in original packaging and are subject to a 25% restocking charge.**



(858) 614-1800

# Table of Contents

<b>Wood Balusters .....</b>	<b>4-14</b>
Baluster Blanks .....	5
Classic Balusters .....	5-6
Colonial Balusters .....	7
Hampton Balusters .....	8-9
Royal Balusters .....	10
Sandalwood Balusters .....	10
Sheraton Balusters .....	11
Sheraton Flute Balusters .....	12
Sheraton Twist Balusters .....	13
Tradewinds Balusters .....	14
Traditional Balusters .....	14
<b>Ornamental Iron .....</b>	<b>15-31</b>
Hollow 5/8" Round .....	15
Hollow 1/2" Square .....	16-17
Hollow Kneewall 1/2" Square .....	18-20
Hollow 9/16" Square .....	21
Hollow Mega 3/4" Square .....	22
Solid 1/2" Round .....	23
Solid 1/2" Square .....	24-27
Solid 9/16" Square .....	28-29
IronPro™ 1/2" Iron Baluster Fasteners .....	30
Iron Newels .....	31
<b>Newels .....</b>	<b>32-43</b>
Newel Blanks .....	32
Classic Newels .....	33
Contemporary Newels .....	34
Colonial Newels .....	35-37
Hampton Newels .....	38-39
Royal Newels .....	40
Sandalwood Newels .....	40
Sheraton Newels .....	41
Sheraton Flute Newels .....	41
Sheraton Twist Newels .....	42
Tradewinds Newels .....	42
Traditional Newels .....	43
<b>Box Newels &amp; Accessories.....</b>	<b>44-45</b>
Box Newels .....	44
Box Newel Accessories .....	45
<b>Rails &amp; Fittings .....</b>	<b>46-59</b>
6010 Rail & Fittings .....	46-48
6210 Rail & Fittings .....	49-50
6B10 Rail & Fittings .....	51-52
8000 Rail & Fittings .....	53-55
9100 Rail & Fittings .....	56-58
6002, 6005 & 6519 Rail .....	59
Shoe Rail & Fillet .....	59
Wall Rail & Fittings .....	60
<b>Treads &amp; Risers .....</b>	<b>61-63</b>
<b>Accessories (Handrail Brackets, Rosettes, Stair Brackets).....</b>	<b>64</b>
<b>Stairway Installation Hardware and Tools .....</b>	<b>65-66</b>

## INDEX OF ABBREVIATIONS

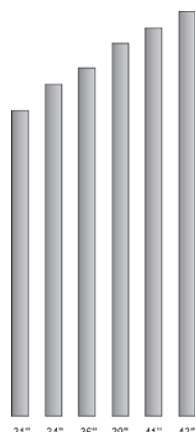
AT .....	Spade Top	PT.....	Pin Top
BT .....	Ball Top	F .....	Fluted
BTS .....	Ball Top Short Turning	PL.....	Plain (Acorn Top)
MT .....	Mushroom Top	T .....	Twisted

## Baluster Blanks

**Stair Parts and More. Made to Order!**  
**“Exotic Species and Custom Turnings”**

**Give us a call at (858) 614-1800 for more information.**

*We can customize any baluster or newel in this catalog!*



100  
1 1/4" Baluster



200  
1 3/4" Baluster



LJ-5360  
1 3/4" Baluster

Part No.	Qty./Box	Oak	Maple	Poplar	Cherry	Euro Beech
100-31	40	5.93	8.80	3.64	14.98	8.76
100-34	40	6.46	9.90	4.04	15.43	9.85
100-36	40	7.15	10.58	4.32	15.59	11.09
100-39	40	8.62	11.68	5.63	19.38	11.65
100-41	40	9.03	12.51	5.93	19.38	12.48
100-43	40	9.97	13.06	6.74	28.30	13.02

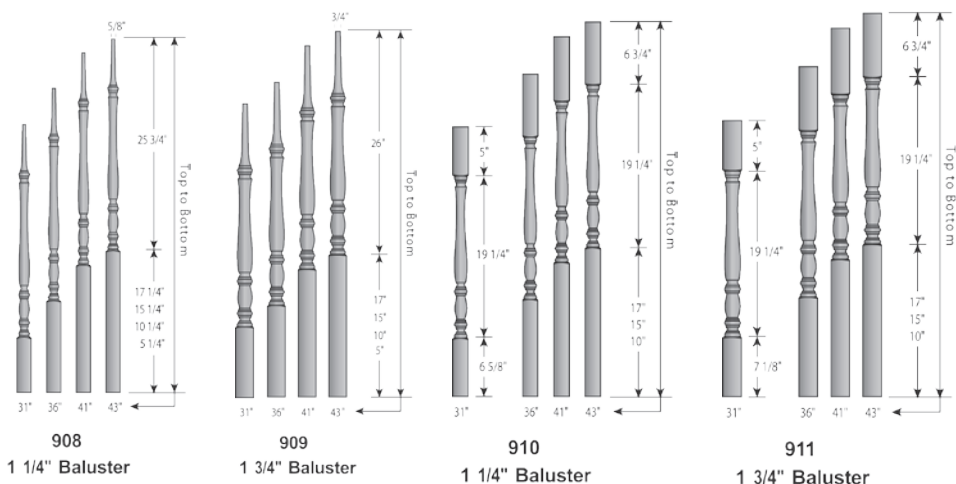
Part No.	Qty./Box	Oak	Maple	Poplar	Cherry	Euro Beech
200-31	25	13.89	16.91	8.36	27.95	16.86
200-34	25	14.96	18.55	8.62	30.66	18.50
200-36	25	16.18	19.93	8.90	32.45	19.85
200-39	25	16.98	21.58	9.84	36.77	21.53
200-41	25	18.06	22.67	11.05	38.66	22.62
200-43	25	20.21	23.90	11.99	40.54	23.85

Prime Balusters									
Part No.	Qty./Box	31"	34"	36"	38"	39"	41"	42"	43"
100PRIME	40	4.38	4.69	4.89	N/A	5.41	6.14	N/A	6.77
LJ-5360-PRG	25	N/A	9.27	N/A	11.36	N/A	N/A	12.69	N/A



(858) 614-1800

# Classic Balusters



Part No.	Qty./ Box	Oak	Maple	Poplar	Cherry	Euro Beech
908-31	40	8.50	12.09	6.07	17.03	12.29
908-36	40	9.44	13.74	6.87	18.65	14.10
908-41	40	11.99	15.80	8.62	21.43	16.10
908-43	40	12.81	16.36	9.31	29.68	16.70

Part No.	Qty./ Box	Oak	Maple	Poplar	Cherry	Euro Beech
909-31	25	18.16	21.99	9.70	33.26	19.07
909-36	25	18.60	21.99	10.91	33.26	22.14
909-41	25	20.62	24.73	13.08	36.41	24.91
909-43	25	22.64	25.98	14.02	42.60	26.15

Part No.	Qty./ Box	Oak	Maple	Poplar	Cherry	Euro Beech
910-31	40	8.50	12.09	6.07	17.03	12.18
910-36	40	9.44	13.74	6.87	18.45	13.85
910-41	40	11.99	15.80	8.62	21.43	15.92
910-43	40	12.81	16.36	9.31	29.68	16.48

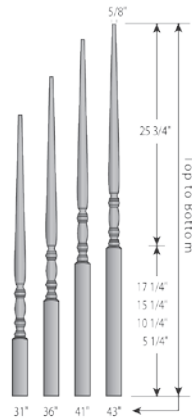
Part No.	Qty./ Box	Oak	Maple	Poplar	Cherry	Euro Beech
911-31	25	18.16	21.99	9.70	33.26	19.07
911-36	25	18.74	21.99	10.91	33.26	22.14
911-41	25	20.62	24.73	13.08	36.41	24.91
911-43	25	22.64	25.98	14.02	42.60	26.15

- Stock part numbers are shaded
- Lead time for non-stock turnings is generally 2 weeks or less, including custom species

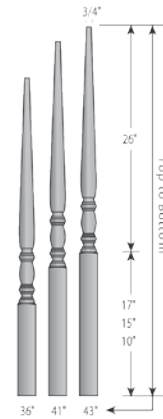


(858) 614-1800

# Classic Balusters



912  
1 1/4" Baluster



913  
1 3/4" Baluster

Part No.	Qty./ Box	Oak	Maple	Poplar	Cherry	Euro Beech
912-31	50	9.44	12.03	6.87	18.45	12.11
912-36	50	9.81	13.74	6.87	18.45	13.85
912-41	50	11.60	15.80	8.62	21.43	15.92
912-43	50	12.81	16.36	9.31	29.68	16.48

Part No.	Qty./ Box	Oak	Maple	Poplar	Cherry	Euro Beech
913-36	25	18.74	21.99	10.91	33.26	22.14
913-41	25	20.62	24.73	13.08	36.41	24.91
913-43	25	22.64	25.98	14.02	42.60	26.15

Prime Balusters				
Part No.	Qty./ Box	36"	41"	43"
908PRIME	40	5.62	7.59	8.26
909PRIME	25	8.43	10.09	10.82
912PRIME	50	5.31	6.66	7.18

- Stock part numbers are shaded
- Lead time for non-stock turnings is generally 2 weeks or less, including custom species

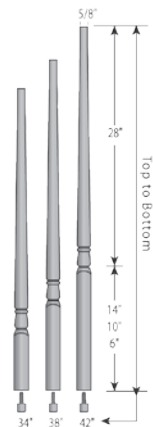
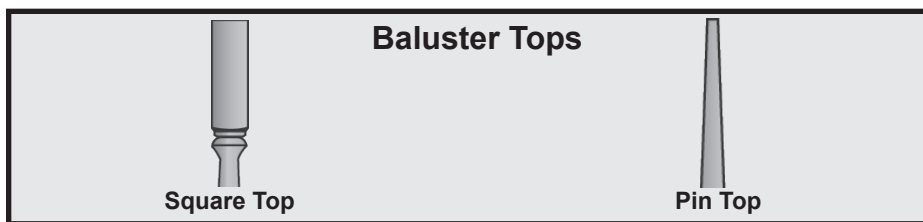


(858) 614-1800

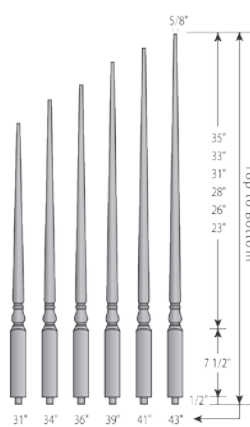


Visit **LJSmith.com**  
and check out our  
**Interactive Stair Designer**

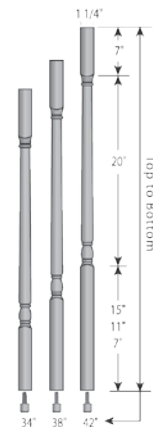
# Colonial Balusters



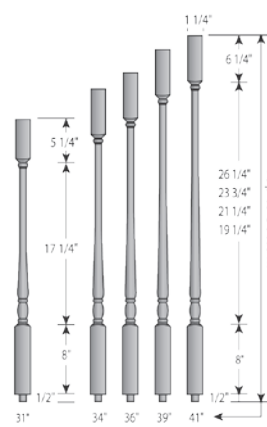
LJ-5015  
1 1/4" Baluster



5015  
1 1/4" Baluster



LJ-5141  
1 1/4" Baluster



5141  
1 1/4" Baluster



5315  
1 3/4" Baluster

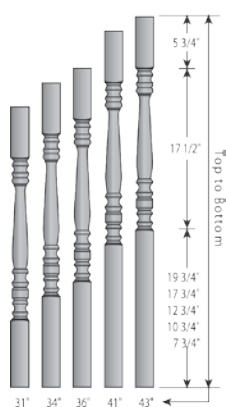
Part No.	Qty./Box	Oak	Maple	Poplar	Cherry	Euro Beech
LJ-5015-34	50	8.50	11.96	6.07	18.13	13.06
LJ-5015-38	50	9.90	13.19	6.68	19.27	14.42
LJ-5015-42	50	11.52	14.84	8.37	25.55	16.22
5015-31	50	7.96	10.86	5.67	17.03	11.88
5015-34	50	8.50	11.96	6.07	18.13	13.06
5015-36	50	9.16	12.64	6.33	18.65	13.81
5015-39	50	10.65	13.74	7.02	19.89	15.02
5015-41	50	11.05	14.56	7.96	21.43	15.91
5015-43	50	11.99	15.12	8.76	29.68	16.51

Part No.	Qty./Box	Oak	Maple	Poplar	Cherry	Euro Beech
LJ-5141-34	40	8.76	12.37	6.46	18.13	13.51
LJ-5141-38	40	10.18	13.61	7.21	19.27	14.86
LJ-5141-42	40	11.99	14.98	8.62	21.43	16.38
5141-31	40	8.50	11.27	5.93	17.03	12.31
5141-34	40	8.76	12.37	6.46	18.13	13.51
5141-36	40	9.44	13.06	6.87	18.65	14.26
5141-39	40	10.91	14.16	7.55	19.89	15.47
5141-41	40	11.99	14.98	8.62	21.43	16.38

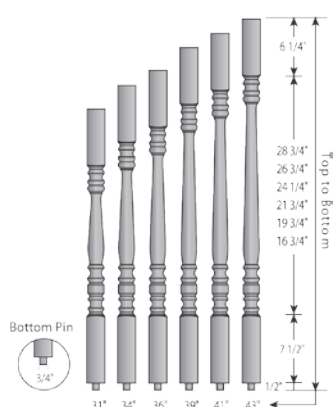
Part No.	Qty./Box	Oak	Maple	Poplar	Cherry	Euro Beech
5315-31	25	16.18	18.96	10.38	33.26	20.18
5315-34	25	17.25	20.61	10.65	33.96	21.94
5315-36	25	18.60	21.99	10.91	34.35	23.39
5315-39	25	19.55	23.64	11.86	36.41	25.16
5315-41	25	20.62	24.73	13.08	37.73	26.32
5315-43	25	22.64	25.98	14.02	42.60	27.64

Prime Balusters									
Part No.	Qty./Box	31"	34"	36"	38"	39"	41"	42"	43"
LJ-5015-PR	50	N/A	4.69	N/A	5.28	N/A	N/A	6.61	N/A
5015PRIME	50	4.38	4.69	4.89	N/A	5.41	6.14	N/A	6.77
LJ-5141-PR	40	N/A	5.00	N/A	5.68	N/A	N/A	6.82	N/A
5141PRIME	40	4.58	5.00	5.31	N/A	5.83	6.66	N/A	N/A
5315PRIME	25	8.01	8.23	8.43	N/A	9.16	10.09	N/A	10.82

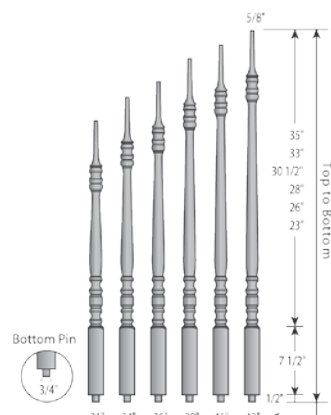
# Hampton Balusters



5005  
1 3/4" Baluster



5105  
1 3/4" Baluster



5200  
1 1/4" Baluster

Part No.	Qty./Box	Oak	Maple	Poplar	Cherry	Euro Beech
5005-31	25	16.18	20.06	11.32	33.26	20.58
5005-34	25	17.25	21.43	11.99	34.15	21.99
5005-36	25	18.60	22.81	13.20	34.48	23.40
5005-41	25	20.62	25.55	16.04	37.73	26.23
5005-43	25	22.64	26.80	17.25	42.60	27.50

Part No.	Qty./Box	Oak	Maple	Poplar	Cherry	Euro Beech
5105-31	25	16.18	20.06	11.32	33.26	20.58
5105-34	25	17.25	21.43	11.99	34.15	21.99
5105-36	25	18.60	22.81	13.20	34.48	23.40
5105-39	25	19.55	24.46	15.10	36.41	25.10
5105-41	25	20.62	25.55	16.04	37.73	26.23
5105-43	25	22.64	26.80	17.25	42.60	27.50

Part No.	Qty./Box	Oak	Maple	Poplar	Cherry	Euro Beech
5200-31	40	8.09	11.27	5.93	17.03	11.56
5200-34	40	8.76	12.37	6.46	18.13	12.69
5200-36	40	9.44	13.06	6.87	18.65	13.40
5200-39	40	10.91	14.16	7.55	19.89	14.53
5200-41	40	11.99	14.98	8.62	21.43	15.38
5200-43	40	12.81	15.66	9.31	27.06	16.07

- Stock part numbers are shaded
- Lead time for non-stock turnings is generally 2 weeks or less, including custom species

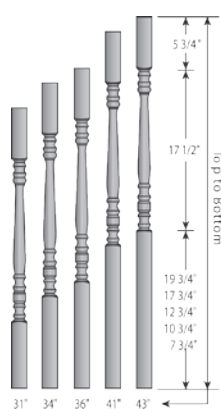


(858) 614-1800

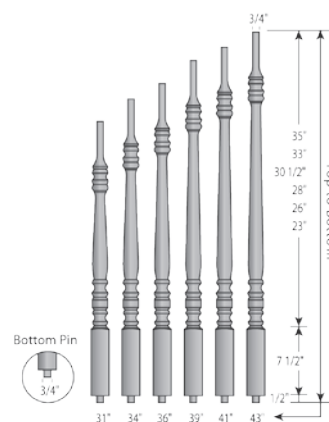


# Stair Tools & Hardware

See the entire offering on pages 65-66.



5205  
1 1/4" Baluster



5300  
1 3/4" Baluster

Part No.	Qty./Box	Oak	Maple	Poplar	Cherry	Euro Beech
5205-31	40	8.50	11.81	5.93	17.03	12.12
5205-34	40	8.76	13.06	6.46	18.13	13.40
5205-36	40	9.44	13.74	6.87	18.65	14.11
5205-41	40	11.99	15.80	8.62	21.43	16.22
5205-43	40	12.81	16.36	9.31	22.50	16.79

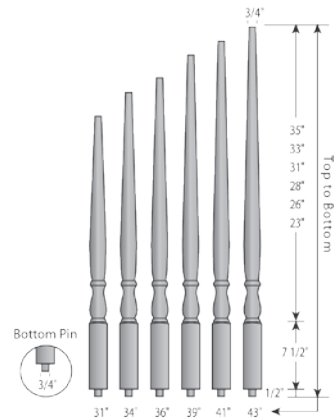
Part No.	Qty./Box	Oak	Maple	Poplar	Cherry	Euro Beech
5300-31	25	16.18	18.96	11.32	33.26	19.46
5300-34	25	17.25	20.61	11.99	34.15	21.14
5300-36	25	18.60	21.99	13.20	34.35	22.56
5300-39	25	19.55	23.64	15.10	36.41	24.26
5300-41	25	20.62	24.73	16.04	37.73	25.38
5300-43	25	22.64	25.98	17.25	42.60	26.64

Prime Balusters									
Part No.	Qty./Box	31"	34"	36"	38"	39"	41"	42"	43"
LJ-5005-PRG	25	N/A	9.27	N/A	11.36	N/A	N/A	12.69	N/A
5200PRIME	40	4.58	5.00	5.31	N/A	5.83	6.66	N/A	N/A
5300PRIME	25	8.74	9.27	10.20	N/A	11.66	12.39	N/A	13.32



(858) 614-1800

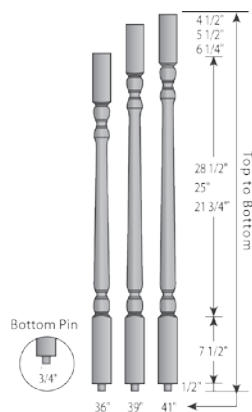
## Royal Balusters



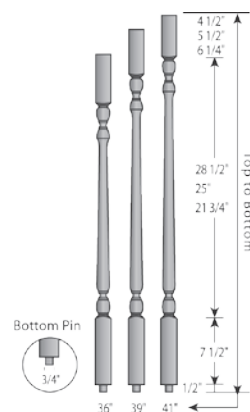
1015  
1 3/4" Baluster

Part No.	Qty./Box	Oak	Maple	Poplar	Cherry	Euro Beech
1015-31	25	15.90	18.96	10.38	33.26	19.46
1015-34	25	16.98	20.61	10.65	34.15	21.14
1015-36	25	18.20	21.99	10.91	34.48	22.56
1015-39	25	19.00	23.64	11.86	36.41	24.26
1015-41	25	20.08	24.73	13.08	37.73	25.38
1015-43	25	22.25	25.98	14.02	42.60	26.64

## Sandalwood Balusters



L-1  
1 3/4" Baluster



LS-1  
1 1/4" Baluster

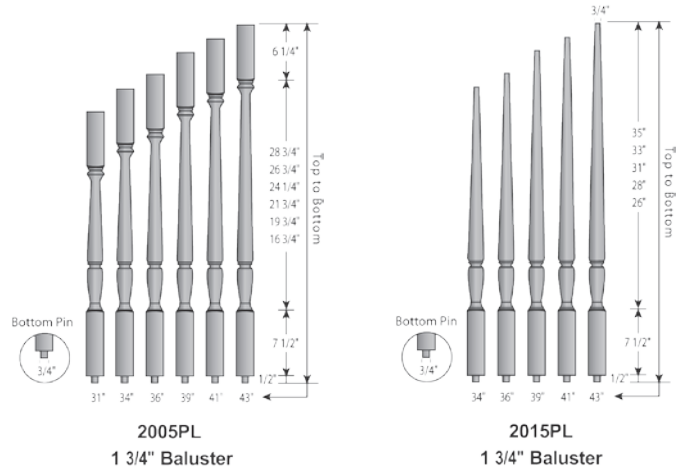
Part No.	Qty./Box	Oak	Maple	Poplar	Cherry	Euro Beech
L-1-36	25	18.74	21.99	10.91	33.26	22.56
L-1-39	25	19.55	23.64	11.86	36.41	24.26
L-1-41	25	20.62	24.73	13.08	37.73	25.38

Part No.	Qty./Box	Oak	Maple	Poplar	Cherry	Euro Beech
LS-1-36	40	10.11	14.56	7.42	17.03	14.94
LS-1-39	40	11.19	15.94	8.22	21.43	16.35
LS-1-41	40	12.81	16.63	8.90	21.96	17.06

# Sheraton Balusters



(858) 614-1800



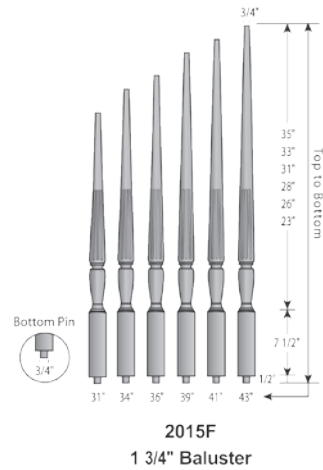
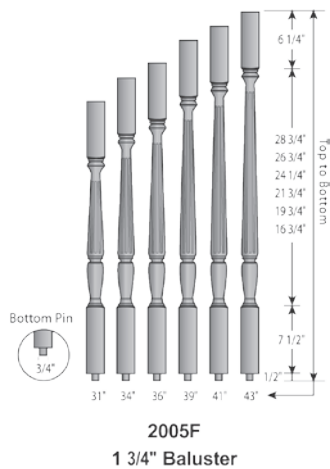
Part No.	Qty./Box	Oak	Maple	Poplar	Cherry	Euro Beech
2005PL-31	25	15.90	19.51	11.32	33.26	20.02
2005PL-34	25	16.98	20.61	11.99	33.96	21.14
2005PL-36	25	18.20	22.02	13.20	34.35	22.60
2005PL-39	25	19.00	23.64	15.10	36.41	24.26
2005PL-41	25	20.08	24.73	16.02	37.73	25.38
2005PL-43	25	22.25	25.98	17.25	42.60	26.64

Part No.	Qty./Box	Oak	Maple	Poplar	Cherry	Euro Beech
2015PL-31	25	15.90	19.51	11.73	33.26	20.02
2015PL-34	25	16.98	20.61	11.99	33.96	21.14
2015PL-36	25	18.20	21.30	13.23	34.35	21.86
2015PL-39	25	19.00	23.07	15.10	36.41	23.67
2015PL-41	25	20.08	24.73	16.02	37.73	25.38
2015PL-43	25	22.25	25.98	17.25	42.60	26.64

Prime Balusters							
Part No.	Qty./Box	31"	34"	36"	39"	41"	43"
2015PRIME	25	8.74	9.27	10.20	11.66	12.39	13.32

- Stock part numbers are shaded
- Lead time for non-stock turnings is generally 2 weeks or less, including custom species

# Sheraton Flute Balusters



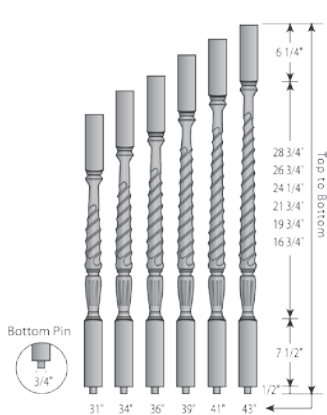
Part No.	Qty./ Box	Oak	Maple	Poplar	Cherry	Euro Beech
2005F-31	25	29.38	32.70	24.80	49.73	33.54
2005F-34	25	30.46	34.35	25.48	50.96	35.25
2005F-36	25	31.68	35.04	26.69	51.69	35.95
2005F-39	25	32.47	37.38	28.58	52.90	38.34
2005F-41	25	33.57	38.47	29.52	55.52	39.47
2005F-43	25	35.73	39.72	30.73	59.09	40.75

Part No.	Qty./ Box	Oak	Maple	Poplar	Cherry	Euro Beech
2015F-31	25	29.38	32.70	24.80	49.73	33.54
2015F-34	25	30.46	34.35	25.48	50.96	35.25
2015F-36	25	31.68	35.04	26.69	51.69	35.95
2015F-39	25	32.47	36.82	28.58	52.90	37.78
2015F-41	25	33.57	38.47	29.52	55.52	39.47
2015F-43	25	35.73	39.72	30.73	59.09	40.75

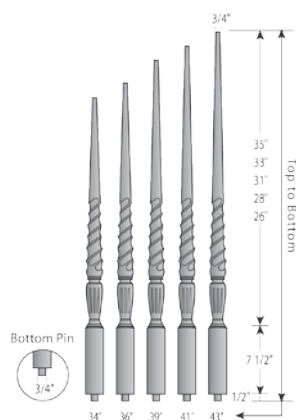


(858) 614-1800

# Sheraton Twist Balusters



2005T  
1 3/4" Baluster



2015T  
1 3/4" Baluster

Part No.	Qty./ Box	Oak	Maple	Poplar	Cherry	Euro Beech
2005T-31	25	36.11	39.57	30.47	56.61	40.61
2005T-34	25	37.20	41.22	32.22	57.71	42.30
2005T-36	25	38.42	42.60	33.42	58.82	43.69
2005T-39	25	39.22	44.24	35.32	59.77	45.39
2005T-41	25	40.31	45.35	36.26	62.39	46.52
2005T-43	25	42.46	46.59	37.46	65.95	47.80

Part No.	Qty./ Box	Oak	Maple	Poplar	Cherry	Euro Beech
2015T-34	25	37.20	41.22	32.22	57.71	42.30
2015T-36	25	38.42	42.60	33.42	58.82	43.69
2015T-39	25	39.22	44.24	35.32	59.77	45.39
2015T-41	25	40.31	45.35	36.26	62.39	46.52
2015T-43	25	42.46	46.59	37.46	65.95	47.80

- Stock part numbers are shaded
- Lead time for non-stock turnings is generally 2 weeks or less, including custom species



(858) 614-1800

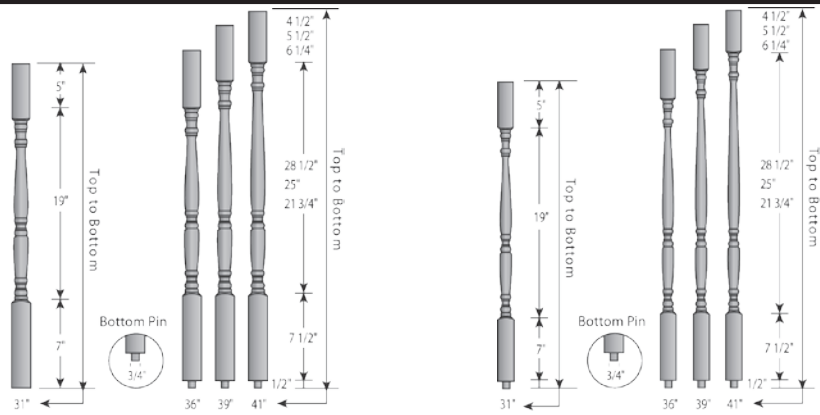
## Stair Parts and More. Made to Order!

“Exotic Species and Custom Turnings”

Give us a call at (858) 614-1800 for more information.

*We can customize any baluster or newel in this catalog!*

## Tradewinds Balusters



L-2  
1 3/4" Baluster

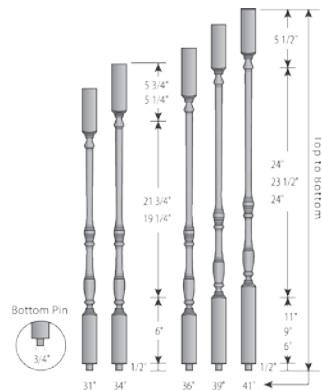
LS-2  
1 1/4" Baluster

Part No.	Qty./ Box	Oak	Maple	Poplar	Cherry	Euro Beech
L-2-31	25	16.18	19.51	9.70	33.26	20.02
L-2-36	25	18.74	21.99	10.91	34.35	22.56
L-2-39	25	19.55	23.64	11.86	36.41	24.26
L-2-41	25	20.62	24.73	13.08	37.73	25.38

Part No.	Qty./ Box	Oak	Maple	Poplar	Cherry	Euro Beech
LS-2-31	40	9.15	12.64	6.47	17.03	12.98
LS-2-36	40	10.11	14.56	7.42	18.65	14.94
LS-2-39	40	11.19	15.94	8.22	19.89	16.35
LS-2-41	40	12.81	16.63	8.90	21.43	17.06

## Traditional Balusters



5067  
1 1/4" Baluster



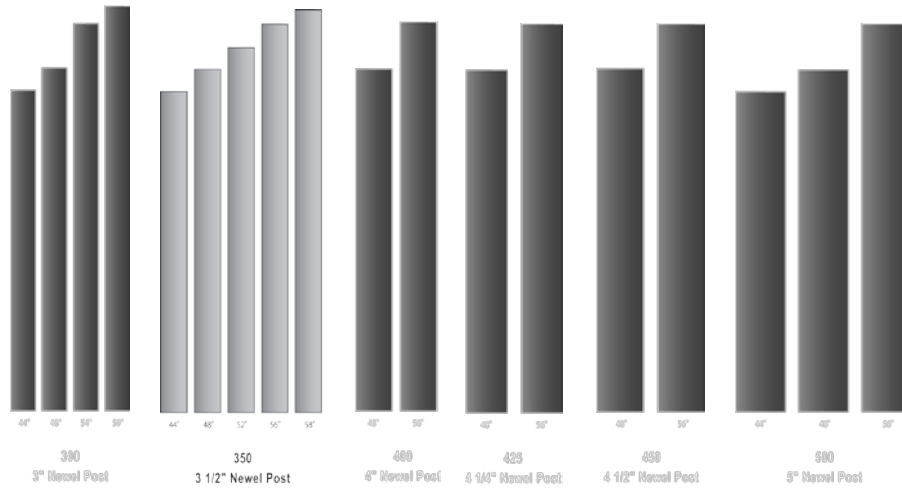
(858) 614-1800

Part No.	Qty./ Box	Oak	Maple	Poplar	Cherry	Euro Beech
5067-31	40	8.50	12.64	5.93	17.03	12.02
5067-34	40	9.03	13.19	6.46	18.13	12.54
5067-36	40	9.44	14.56	6.87	18.65	13.84
5067-39	40	11.19	15.94	7.55	19.89	15.14
5067-41	40	11.99	16.63	8.62	21.43	15.79

- Stock part numbers are shaded
- Lead time for non-stock turnings is generally 2 weeks or less, including custom species

# Newel Blanks

L.J. Smith/Leepers offers most of our newels in the species listed in the following tables. We can supply all of our products in many exotic species. Please call us for a quote and lead times on these other species.



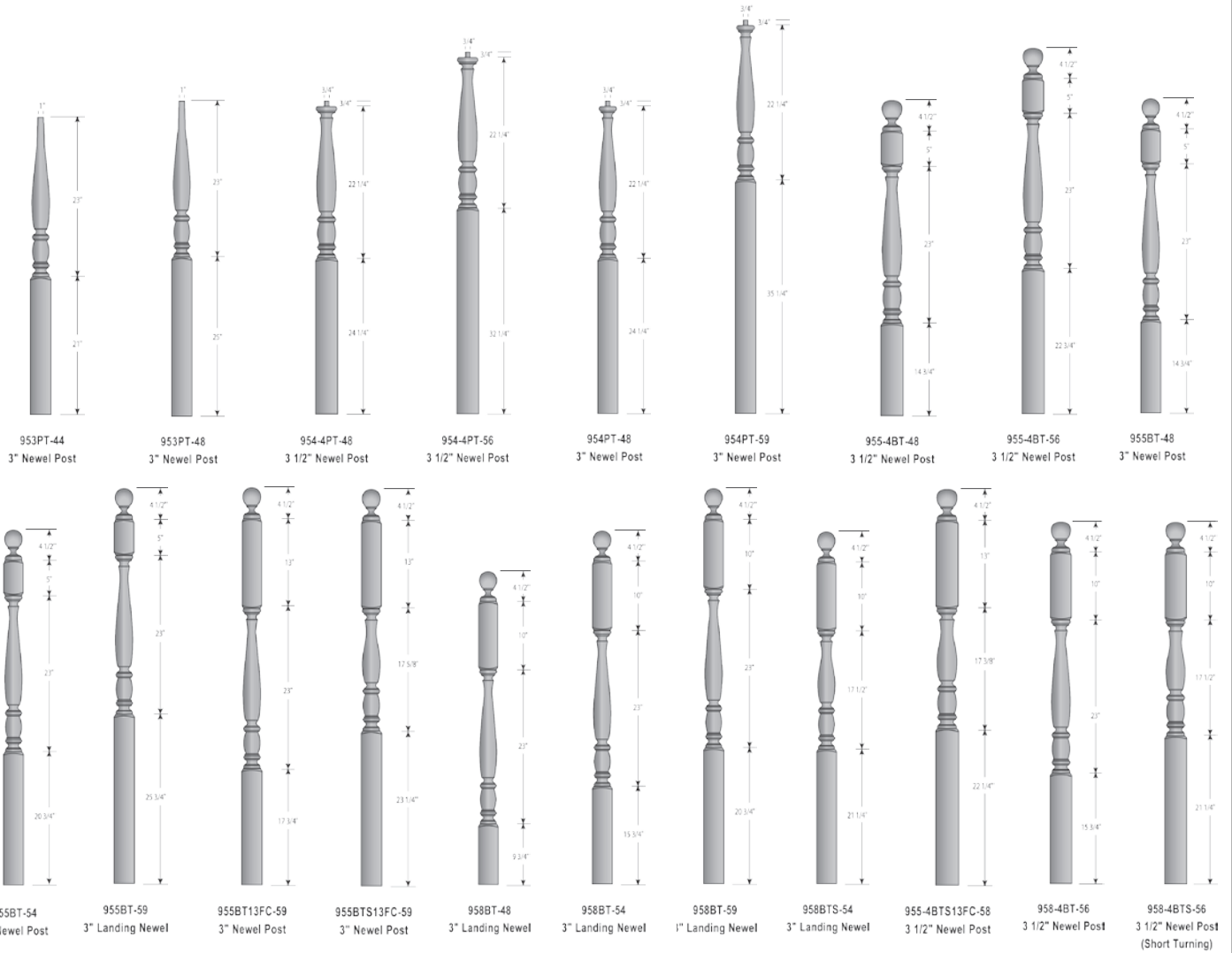
Part No.	Qty./Box	Oak	Maple	Poplar	Cherry	Euro Beech
300-44	1	65.51	74.19	40.44	140.15	70.49
300-48	1	74.26	81.06	43.13	140.15	77.01
300-54	1	85.59	92.06	47.85	174.50	87.45
300-59	1	92.33	103.05	54.99	174.50	97.89
350-44	1	85.73	123.66	53.51	185.48	117.49
350-48	1	91.78	128.34	61.71	185.48	121.92
350-52	1	100.36	141.11	62.54	236.33	134.06
350-56	1	103.37	153.89	63.34	236.33	146.19
350-58	1	107.07	159.40	65.61	244.79	151.43
400-48	1	159.33	213.74	106.38	247.13	203.05
400-56	1	178.42	224.99	131.92	260.14	213.74
425-48	1	162.49	204.11	120.08	237.53	193.91
425-56	1	189.56	239.05	140.08	277.12	227.10
450-48	1	175.21	219.84	130.49	254.19	208.84
450-56	1	200.73	253.12	148.36	292.67	240.46
500-44	1	179.14	314.87	173.00	377.85	299.13
500-48	1	195.44	343.50	188.69	412.20	326.33
500-56	1	225.02	392.84	217.34	468.59	373.19

- Stock part numbers are shaded
- Lead time for non-stock turnings is generally 2 weeks or less, including custom species
- Each split newel will incur a \$10 net cutting charge and both halves will be shipped



(858) 614-1800

# Classic Newels



Part No.	Qty./Box	Oak	Maple	Poplar	Cherry	Euro Beech
953PT-44	1	73.59	93.35	51.22	148.39	84.85
953PT-48	1	82.27	110.24	54.31	148.39	104.74
954-4PT-48	1	99.87	136.03	65.26	193.73	129.22
954-4PT-56	1	117.95	162.71	80.29	252.74	154.58
954PT-48	1	82.35	99.80	51.22	148.39	90.17
954PT-59	1	100.42	131.22	67.66	205.34	124.67
955-4BT-48	1	99.87	136.03	65.26	193.73	129.22
955-4BT-56	1	113.09	162.13	80.29	230.83	154.03
955-4BTS13FC-58	1	114.67	165.34	83.53	234.04	157.24
955BT-48	1	82.35	101.84	52.98	148.39	92.67
955BT-54	1	93.68	108.54	58.36	182.75	101.52
955BT-59	1	100.42	121.48	66.56	196.48	110.95
955BT13FC-59	1	100.42	111.29	63.08	196.48	105.74
955BTS13FC-59	1	100.42	111.29	63.08	196.48	105.74
958BT-48	1	79.92	101.84	56.52	175.85	108.97
958BT-54	1	93.68	108.54	58.36	182.75	101.52
958BT-59	1	104.71	139.26	67.66	196.48	132.29
958BTS-54	1	93.68	111.48	61.17	182.75	103.12
958-4BT-56	1	113.09	171.75	80.29	230.83	163.16
958-4BTS-56	1	113.09	171.75	80.29	230.83	163.16

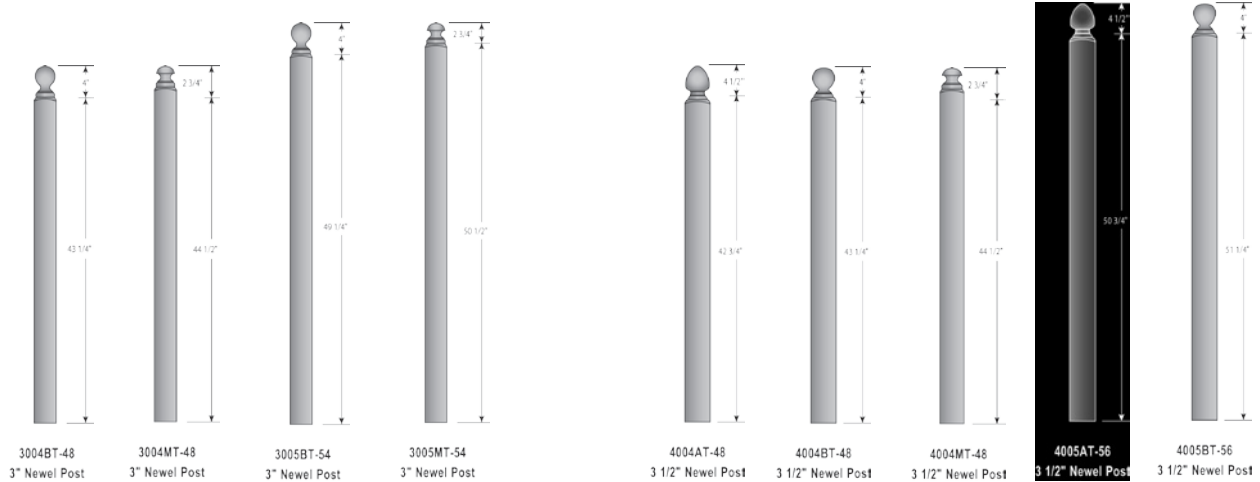
Newels



# Contemporary Newels

*Great care is taken to maintain the profile integrity of our turnings. All turnings are meticulously finish sanded, block may require additional sanding.*

*We carry a large inventory of oak, maple, poplar, cherry, euro beech and custom species enabling us to fill orders in 1 week or less.*



Part No.	Qty./ Box	Oak	Maple	Poplar	Cherry	Euro Beech
<b>3004BT-48</b>	<b>1</b>	<b>82.35</b>	<b>101.84</b>	<b>52.98</b>	<b>148.39</b>	<b>92.67</b>
<b>3004MT-48</b>	<b>1</b>	<b>82.35</b>	<b>101.84</b>	<b>52.98</b>	<b>148.39</b>	<b>92.67</b>
<b>3005BT-54</b>	<b>1</b>	<b>93.68</b>	<b>111.48</b>	<b>61.17</b>	<b>182.75</b>	<b>103.12</b>
<b>3005MT-54</b>	<b>1</b>	<b>93.68</b>	<b>111.48</b>	<b>61.17</b>	<b>182.75</b>	<b>103.12</b>
<b>4004AT-48</b>	<b>1</b>	<b>99.87</b>	<b>136.57</b>	<b>65.26</b>	<b>207.47</b>	<b>129.75</b>
<b>4004BT-48</b>	<b>1</b>	<b>99.87</b>	<b>136.57</b>	<b>65.26</b>	<b>207.47</b>	<b>129.75</b>
<b>4004MT-48</b>	<b>1</b>	<b>99.87</b>	<b>136.57</b>	<b>65.26</b>	<b>207.47</b>	<b>129.75</b>
<b>4005AT-56</b>	<b>1</b>	<b>113.09</b>	<b>162.13</b>	<b>80.29</b>	<b>262.95</b>	<b>154.03</b>
<b>4005BT-56</b>	<b>1</b>	<b>113.09</b>	<b>162.13</b>	<b>70.09</b>	<b>262.95</b>	<b>154.03</b>

- Stock part numbers are shaded
- Lead time for non-stock turnings is generally 2 weeks or less, including custom species
- Each split newel will incur a \$10 net cutting charge and both halves will be shipped

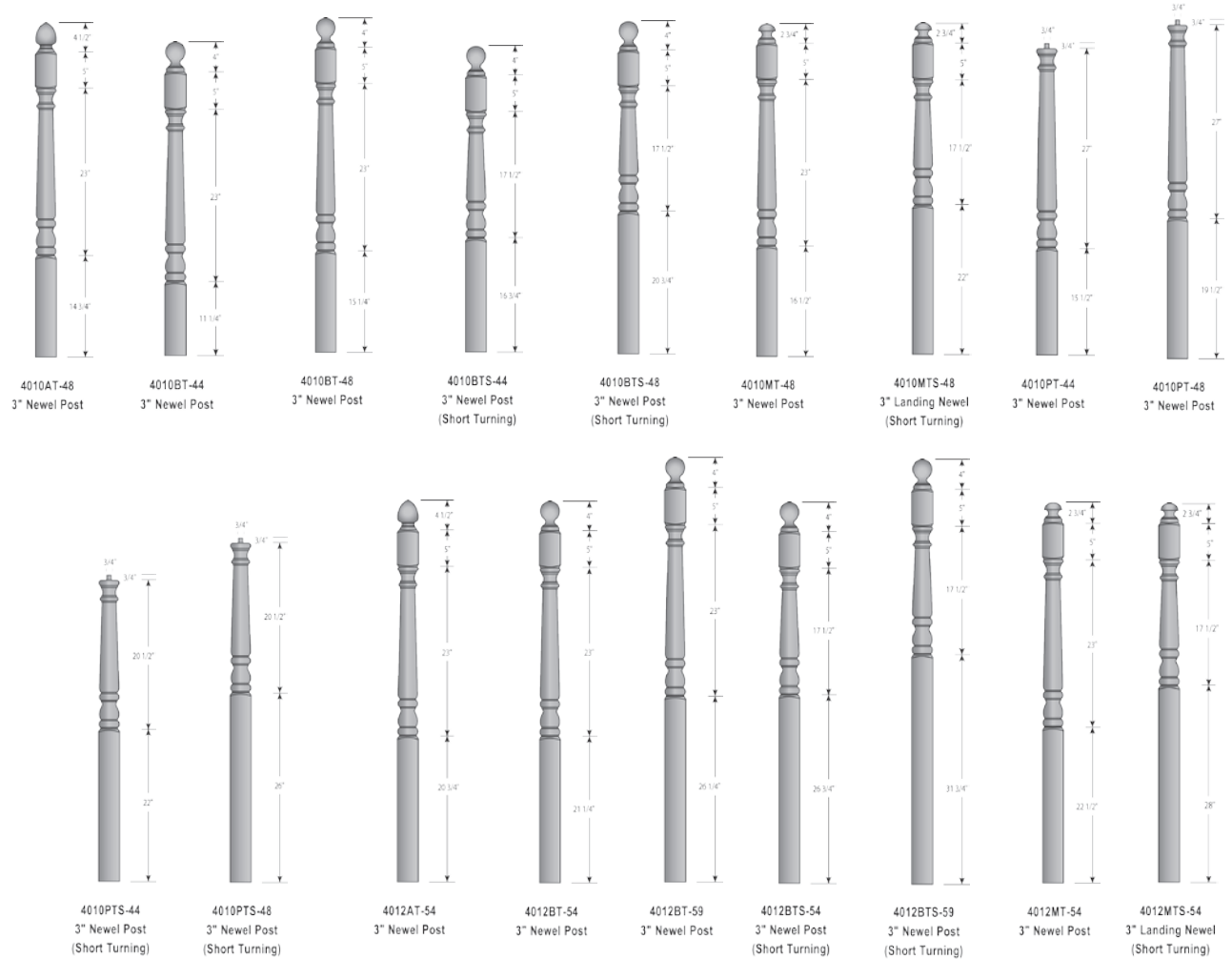
## Stair Parts and More. Made to Order!

*“Exotic Species and Custom Turnings”*

**Give us a call at (858) 614-1800 for more information.**

*We can customize any baluster or newel in this catalog!*

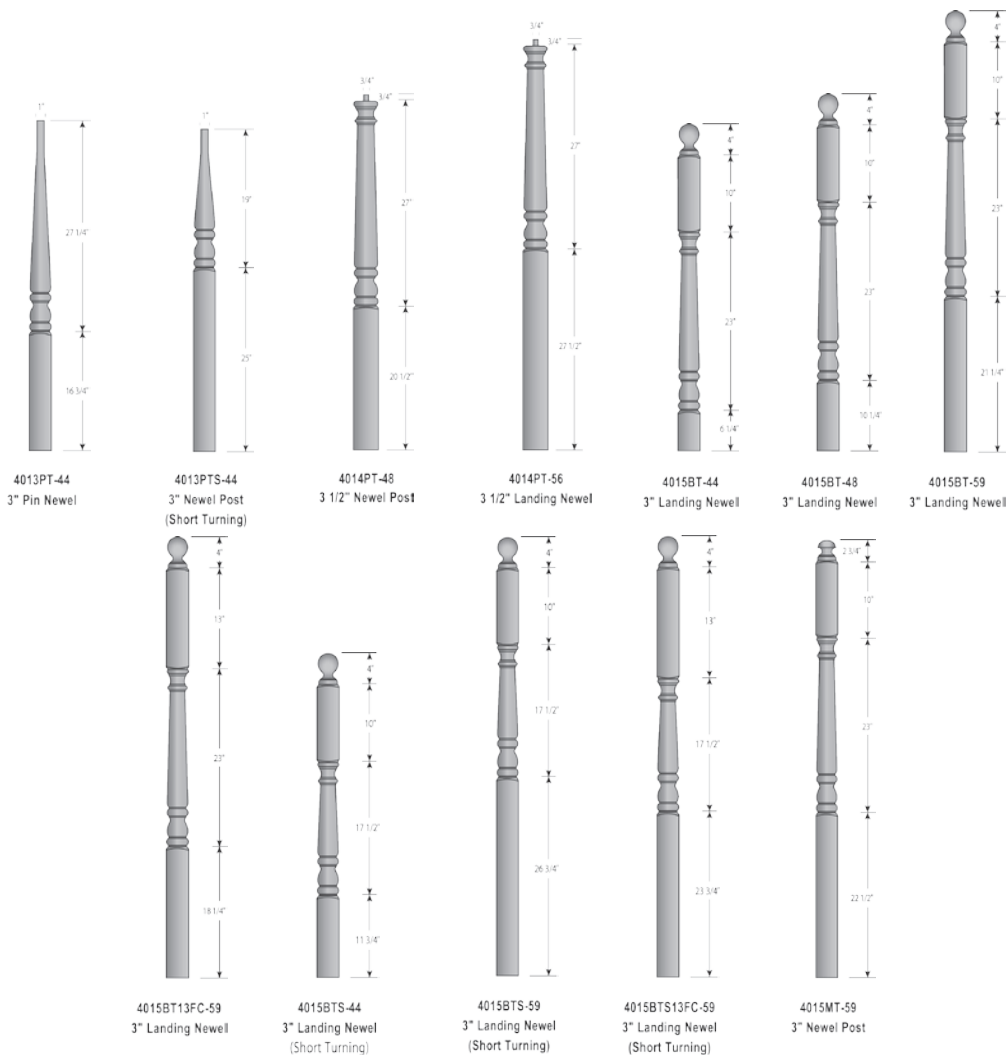
# Colonial Newels



Part No.	Qty./Box	Oak	Maple	Poplar	Cherry	Euro Beech
4010AT-48	1	82.35	99.80	51.22	148.39	90.17
4010BT-44	1	73.59	93.35	51.22	142.34	84.85
4010BT-48	1	82.35	99.80	51.22	148.39	90.17
4010BTS-44	1	73.59	93.35	51.22	142.34	84.85
4010BTS-48	1	82.35	99.80	51.22	148.39	90.17
4010MT-48	1	82.35	99.80	51.22	148.39	90.17
4010MTS-48	1	82.35	101.84	52.98	148.39	90.17
4010PT-44	1	73.59	93.35	51.22	142.34	84.85
4010PT-48	1	82.35	101.84	52.98	148.39	92.67
4010PTS-44	1	73.59	93.35	51.22	142.34	84.85
4010PTS-48	1	82.35	101.84	52.98	142.34	92.67
4012AT-54	1	93.68	108.54	58.36	101.52	95.29
4012BT-54	1	93.68	108.54	58.36	182.75	101.52
4012BT-59	1	100.42	121.48	66.56	196.48	110.95
4012BTS-54	1	93.68	111.48	61.17	182.75	103.12
4012BTS-59	1	100.42	121.48	66.56	196.48	110.95
4012MT-54	1	95.90	129.28	62.62	182.75	122.80
4012MTS-54	1	95.90	129.28	62.62	182.75	122.80

Newels

# Colonial Newels



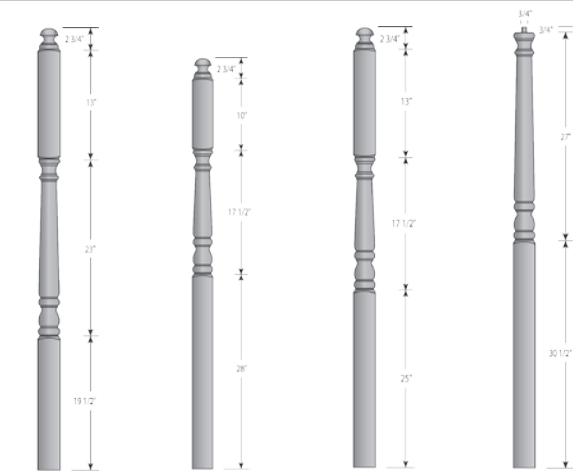
Part No.	Qty./Box	Oak	Maple	Poplar	Cherry	Euro Beech
4013PT-44	1	73.59	93.35	51.22	148.39	84.85
4013PT-48	1	88.55	114.69	56.52	148.39	90.17
4013PTS-44	1	73.59	93.35	51.22	148.39	84.85
4014PT-44	1	95.43	125.19	59.82	193.73	118.45
4014PT-48	1	99.87	136.03	62.68	207.47	129.22
4014PT-56	1	113.09	162.13	80.29	244.57	154.03
4015BT-44	1	85.59	108.39	51.22	175.85	84.85
4015BT-48	1	93.37	110.21	55.14	180.31	90.17
4015BT-59	1	100.42	121.48	66.56	182.75	110.95
4015BT13FC-59	1	100.42	121.48	67.66	182.75	110.95
4015BTS-44	1	85.59	108.39	51.22	175.85	84.85
4015BTS-59	1	100.42	121.48	66.56	182.75	110.95
4015BTS13F-59	1	100.42	121.48	67.66	182.75	110.95
4015MT-59	1	100.42	121.48	67.66	182.75	110.95

- Stock part numbers are shaded
- Lead time for non-stock turnings is generally 2 weeks or less, including custom species
- Each split newel will incur a \$10 net cutting charge and both halves will be shipped

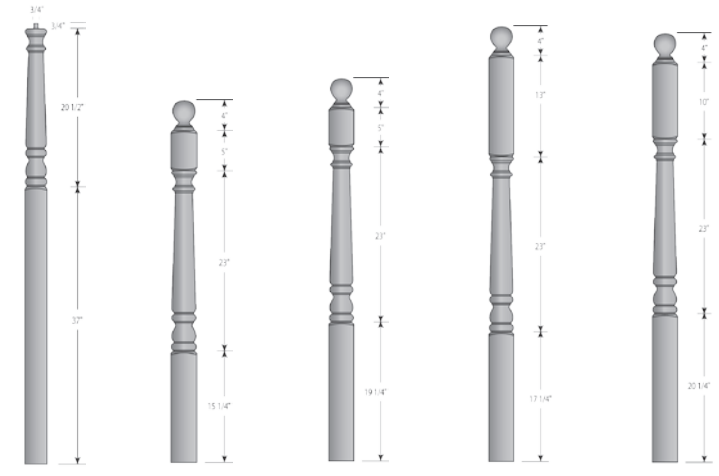
**Stair Parts and More. Made to Order!**  
**“Exotic Species and Custom Turnings”**

**Give us a call at (858) 614-1800 for more information.**

*We can customize any baluster or newel in this catalog!*



4015MT13FC-59 3" Newel Post  
 4015MTS-59 3" Landing Newel (Short Turning)  
 4015MTS13FC-59 3" Landing Newel (Short Turning)  
 4015PT-59 3" Newel Post



4015PTS-59 3" Newel Post (Short Turning)  
 4016BT-48 3 1/2" Newel Post  
 4017BT-52 3 1/2" Newel Post  
 4017BT13FC-58 3 1/2" Landing Newel  
 4018BT-58 3 1/2" Landing Newel



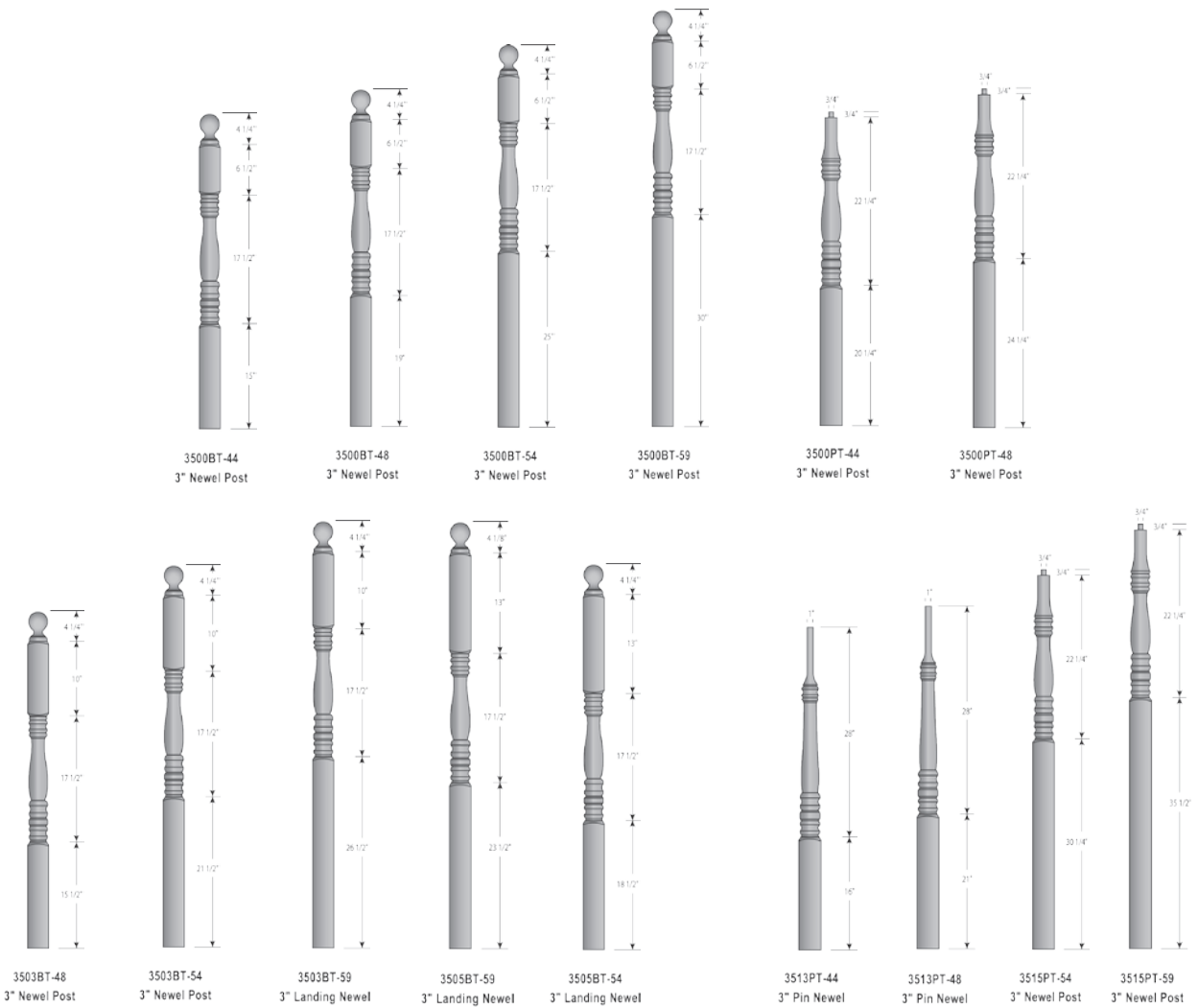
(858) 614-1800

Part No.	Qty./Box	Oak	Maple	Poplar	Cherry	Euro Beech
4015MT13F-59	1	100.42	121.48	67.66	196.48	110.95
4015MTS-59	1	100.42	139.26	67.66	213.64	132.29
4015MTS13F-59	1	100.42	121.48	67.66	196.48	110.95
4015PT-59	1	100.42	121.48	67.66	196.48	110.95
4015PTS-59	1	100.42	121.48	67.66	196.48	110.95
4016BT-48	1	99.87	136.57	65.26	207.47	129.75
4017BT-52	1	107.70	150.55	74.56	244.11	143.03
4017BT13FC-58	1	117.95	177.25	83.16	271.98	168.39
4018BT-58	1	117.95	177.25	83.16	271.98	168.39

Newels

# Hampton Newels

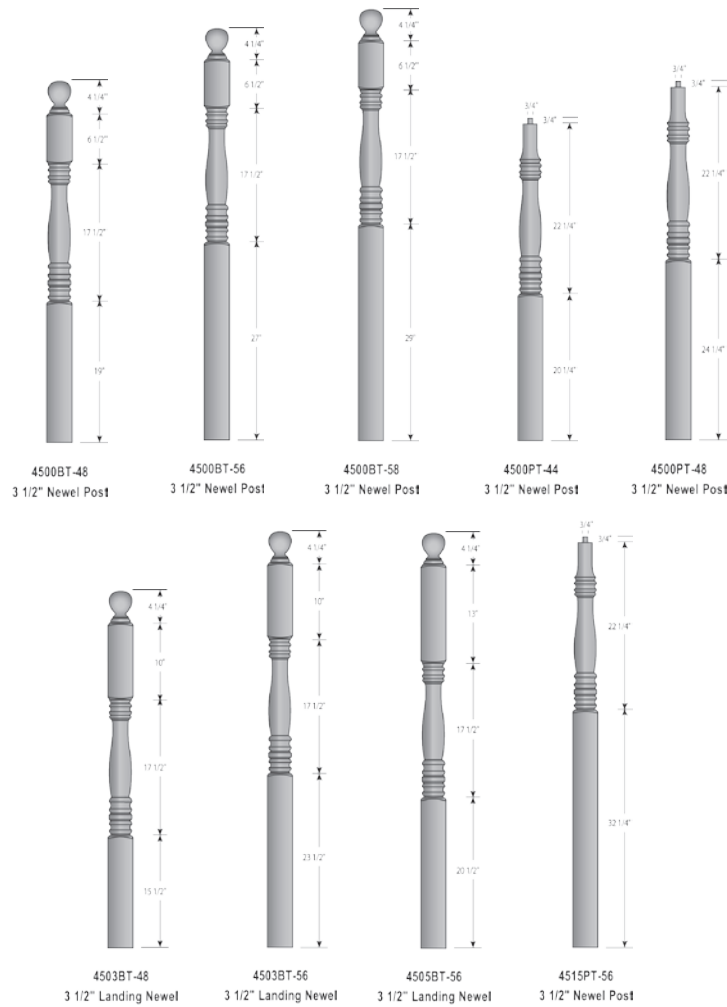
Newels



Part No.	Qty./Box	Oak	Maple	Poplar	Cherry	Euro Beech
3500BT-44	1	73.59	93.35	51.22	148.39	87.45
3500BT-48	1	82.35	101.84	52.98	148.39	92.67
3500BT-54	1	93.68	111.48	61.17	182.75	103.12
3500BT-59	1	100.42	121.48	67.66	196.48	110.95
3500PT-44	1	73.59	93.35	51.22	148.39	84.85
3500PT-48	1	82.35	101.84	52.98	148.39	92.67
3503BT-48	1	82.35	101.84	52.98	148.39	92.67
3503BT-54	1	100.42	111.48	61.17	196.45	103.12
3503BT-59	1	104.71	121.48	67.66	196.48	110.95
3505BT-54	1	100.42	111.48	61.17	182.75	103.12
3505BT-59	1	104.71	121.48	67.66	213.64	110.95
3513PT-44	1	73.59	93.35	51.22	148.39	84.85
3513PT-48	1	82.27	110.24	54.31	148.39	104.74
3515PT-54	1	100.42	111.48	61.17	182.75	103.12
3515PT-59	1	104.71	121.48	67.66	196.48	110.95



(858) 614-1800



Part No.	Qty./Box	Oak	Maple	Poplar	Cherry	Euro Beech
<b>4500BT-48</b>	<b>1</b>	<b>99.87</b>	<b>136.57</b>	<b>65.26</b>	<b>193.73</b>	<b>129.75</b>
<b>4500BT-56</b>	<b>1</b>	<b>113.09</b>	<b>162.13</b>	<b>80.29</b>	<b>245.94</b>	<b>154.03</b>
<b>4500BT-58</b>	<b>1</b>	<b>122.65</b>	<b>193.47</b>	<b>84.05</b>	<b>251.18</b>	<b>183.80</b>
<b>4500PT-44</b>	<b>1</b>	<b>93.81</b>	<b>131.90</b>	<b>61.59</b>	<b>218.67</b>	<b>125.31</b>
<b>4500PT-48</b>	<b>1</b>	<b>99.87</b>	<b>136.57</b>	<b>65.26</b>	<b>193.73</b>	<b>129.75</b>
<b>4503BT-48</b>	<b>1</b>	<b>99.87</b>	<b>136.57</b>	<b>65.26</b>	<b>193.73</b>	<b>129.75</b>
<b>4503BT-56</b>	<b>1</b>	<b>113.09</b>	<b>162.13</b>	<b>80.29</b>	<b>245.94</b>	<b>154.03</b>
<b>4505BT-56</b>	<b>1</b>	<b>113.09</b>	<b>162.13</b>	<b>80.29</b>	<b>245.94</b>	<b>154.03</b>
<b>4515PT-56</b>	<b>1</b>	<b>113.09</b>	<b>162.13</b>	<b>80.29</b>	<b>245.94</b>	<b>154.03</b>

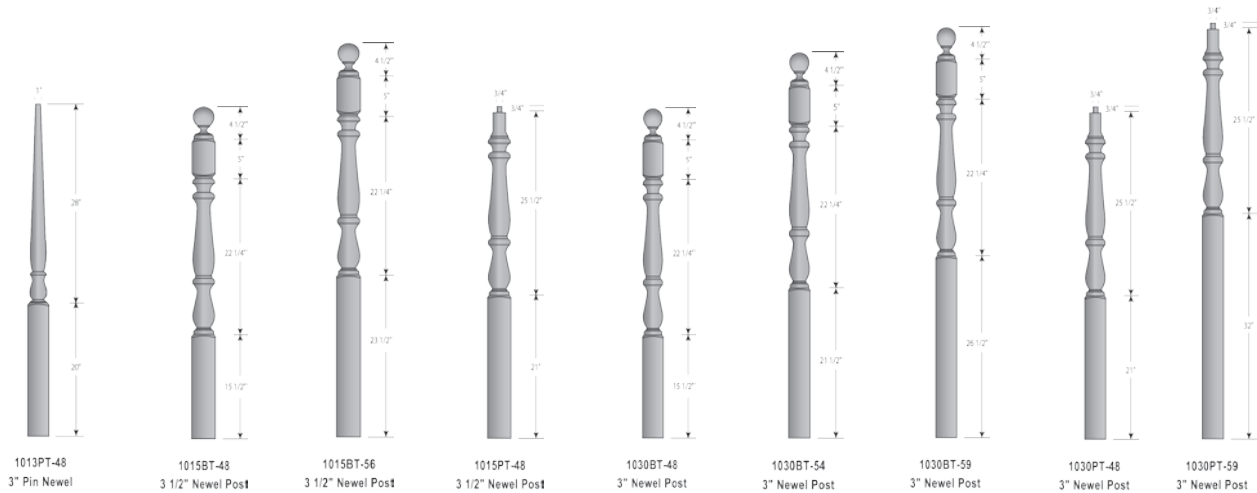
- Stock part numbers are shaded
- Lead time for non-stock turnings is generally 2 weeks or less, including custom species
- Each split newel will incur a \$10 net cutting charge and both halves will be shipped



(858) 614-1800

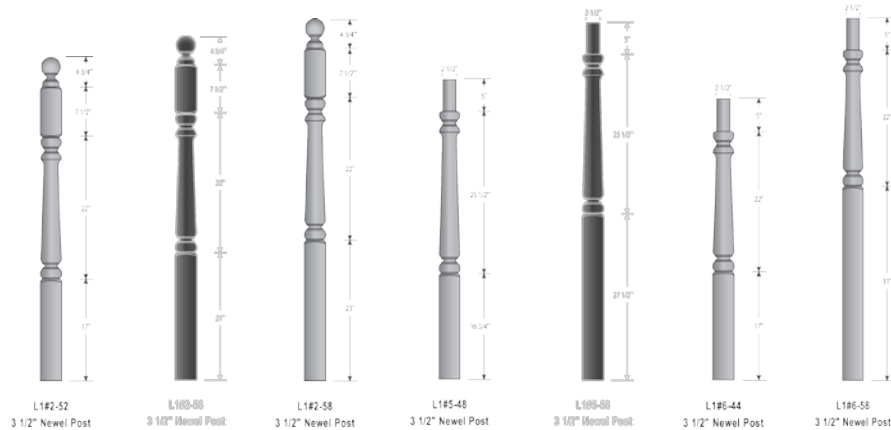
Newels

# Royal Newels



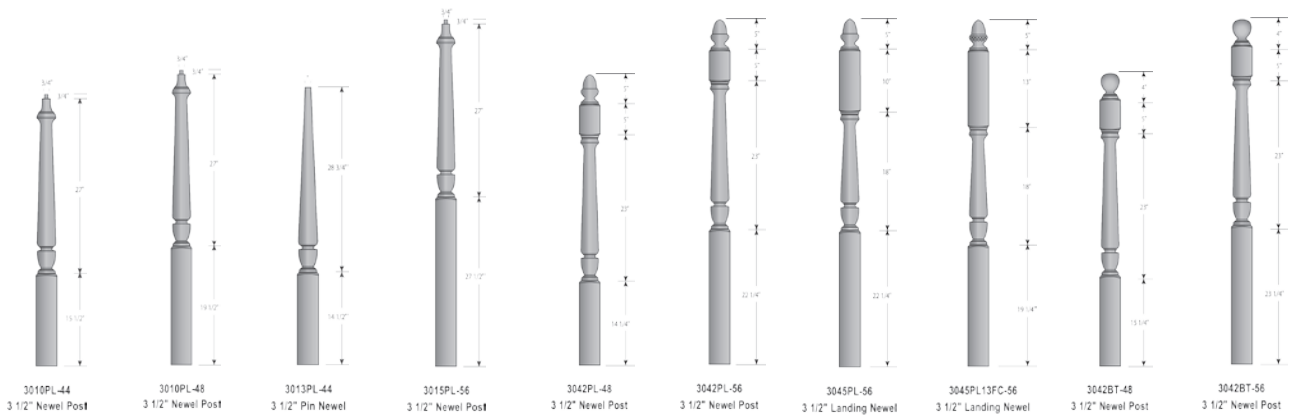
Part No.	Qty./ Box	Oak	Maple	Poplar	Cherry	Euro Beech
<b>1013PT-48</b>	<b>1</b>	<b>82.27</b>	<b>101.84</b>	<b>58.64</b>	<b>169.03</b>	<b>92.67</b>
<b>1015BT-48</b>	<b>1</b>	<b>99.87</b>	<b>136.57</b>	<b>65.26</b>	<b>193.73</b>	<b>129.75</b>
<b>1015BT-56</b>	<b>1</b>	<b>117.95</b>	<b>178.62</b>	<b>79.52</b>	<b>244.57</b>	<b>169.69</b>
<b>1015PT-48</b>	<b>1</b>	<b>99.87</b>	<b>136.57</b>	<b>65.26</b>	<b>193.73</b>	<b>129.75</b>
<b>1030BT-48</b>	<b>1</b>	<b>82.27</b>	<b>101.84</b>	<b>58.64</b>	<b>169.03</b>	<b>92.67</b>
<b>1030BT-54</b>	<b>1</b>	<b>93.68</b>	<b>111.48</b>	<b>61.17</b>	<b>196.45</b>	<b>103.12</b>
<b>1030BT-59</b>	<b>1</b>	<b>100.42</b>	<b>121.48</b>	<b>67.66</b>	<b>213.64</b>	<b>110.95</b>
<b>1030PT-48</b>	<b>1</b>	<b>82.27</b>	<b>101.84</b>	<b>58.64</b>	<b>169.03</b>	<b>92.67</b>
<b>1030PT-59</b>	<b>1</b>	<b>100.42</b>	<b>121.48</b>	<b>67.66</b>	<b>213.64</b>	<b>110.95</b>

# Sandalwood Newels



Part No.	Qty./ Box	Oak	Maple	Poplar	Cherry	Euro Beech
<b>L1#2-52</b>	<b>1</b>	<b>107.70</b>	<b>150.55</b>	<b>74.56</b>	<b>237.34</b>	<b>143.03</b>
<b>L1#2-56</b>	<b>1</b>	<b>117.95</b>	<b>162.13</b>	<b>79.52</b>	<b>240.71</b>	<b>154.03</b>
<b>L1#2-58</b>	<b>1</b>	<b>117.95</b>	<b>178.62</b>	<b>83.16</b>	<b>244.57</b>	<b>169.69</b>
<b>L1#5-48</b>	<b>1</b>	<b>99.87</b>	<b>144.21</b>	<b>65.26</b>	<b>193.73</b>	<b>136.99</b>
<b>L1#5-58</b>	<b>1</b>	<b>117.95</b>	<b>178.62</b>	<b>83.16</b>	<b>244.57</b>	<b>169.69</b>
<b>L1#6-44</b>	<b>1</b>	<b>93.81</b>	<b>131.90</b>	<b>61.59</b>	<b>193.73</b>	<b>125.31</b>
<b>L1#6-58</b>	<b>1</b>	<b>117.95</b>	<b>178.62</b>	<b>83.16</b>	<b>244.57</b>	<b>169.69</b>

# Sheraton Newels

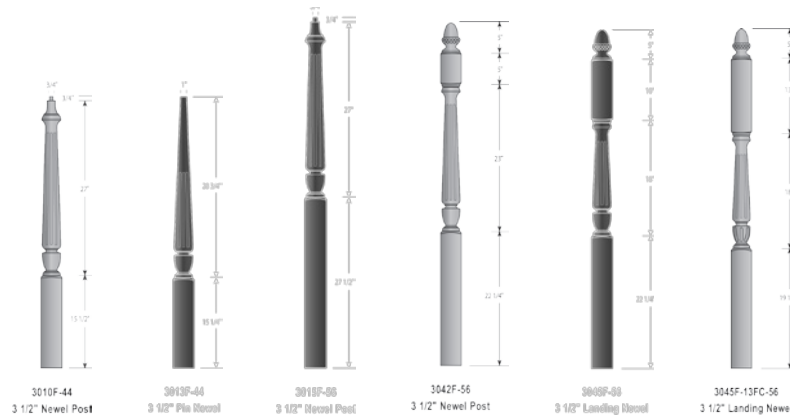


Part No.	Qty./ Box	Oak	Maple	Poplar	Cherry	Euro Beech
<b>3010PL-44</b>	<b>1</b>	<b>93.81</b>	<b>131.90</b>	<b>61.59</b>	<b>193.73</b>	<b>125.31</b>
<b>3010PL-48</b>	<b>1</b>	<b>99.87</b>	<b>152.56</b>	<b>70.25</b>	<b>218.67</b>	<b>144.93</b>
<b>3013PL-44</b>	<b>1</b>	<b>93.81</b>	<b>131.90</b>	<b>61.59</b>	<b>193.73</b>	<b>125.31</b>
<b>3015PL-56</b>	<b>1</b>	<b>113.09</b>	<b>162.13</b>	<b>80.29</b>	<b>230.83</b>	<b>154.03</b>
<b>3042PL-48</b>	<b>1</b>	<b>99.87</b>	<b>152.56</b>	<b>70.25</b>	<b>218.67</b>	<b>144.93</b>
<b>3042PL-56</b>	<b>1</b>	<b>113.09</b>	<b>162.13</b>	<b>80.29</b>	<b>230.83</b>	<b>154.03</b>
<b>3045PL-56</b>	<b>1</b>	<b>113.09</b>	<b>162.13</b>	<b>80.29</b>	<b>230.83</b>	<b>154.03</b>
<b>3045PL13FC-56</b>	<b>1</b>	<b>113.09</b>	<b>162.13</b>	<b>80.29</b>	<b>230.83</b>	<b>154.03</b>
<b>3042BT-48</b>	<b>1</b>	<b>99.87</b>	<b>152.56</b>	<b>70.25</b>	<b>218.67</b>	<b>144.93</b>
<b>3042BT-56</b>	<b>1</b>	<b>113.09</b>	<b>162.13</b>	<b>80.29</b>	<b>230.83</b>	<b>154.03</b>

# Sheraton Flute Newels



(858) 614-1800



Part No.	Qty./ Box	Oak	Maple	Poplar	Cherry	Euro Beech
<b>3010F-44</b>	<b>1</b>	<b>134.24</b>	<b>173.13</b>	<b>117.39</b>	<b>259.10</b>	<b>164.47</b>
<b>3013F-44</b>	<b>1</b>	<b>134.24</b>	<b>173.13</b>	<b>117.39</b>	<b>259.10</b>	<b>164.47</b>
<b>3015F-56</b>	<b>1</b>	<b>192.33</b>	<b>244.57</b>	<b>152.30</b>	<b>327.01</b>	<b>232.35</b>
<b>3042F-56</b>	<b>1</b>	<b>192.33</b>	<b>244.57</b>	<b>152.30</b>	<b>327.01</b>	<b>232.35</b>
<b>3045F-56</b>	<b>1</b>	<b>192.33</b>	<b>244.57</b>	<b>152.30</b>	<b>327.01</b>	<b>232.35</b>
<b>3045F-13FC-56</b>	<b>1</b>	<b>192.33</b>	<b>244.57</b>	<b>152.30</b>	<b>327.01</b>	<b>232.35</b>

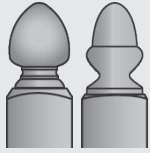
- Stock part numbers are shaded
- Lead time for non-stock turnings is generally 2 weeks or less, including custom species
- Each split newel will incur a \$10 net cutting charge and both halves will be shipped

Newels

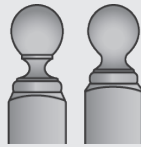


# Shearton Twist Newels

## Newel Tops



AT/PL - Spade/Acorn Top



BT - Ball Top



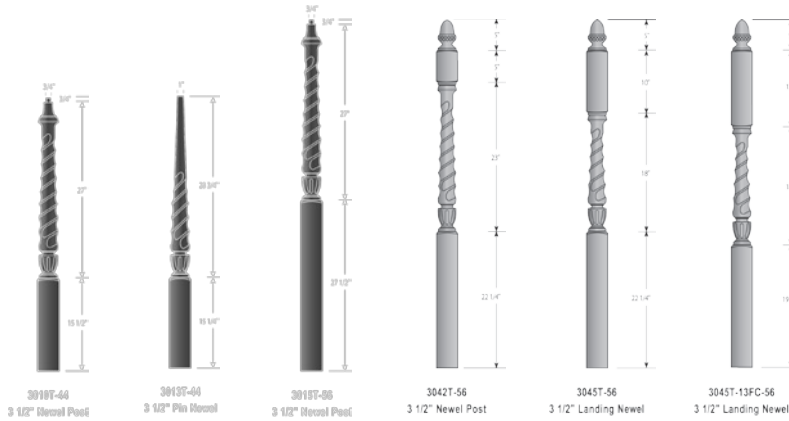
MT - Mushroom Top



PT - Pin Top

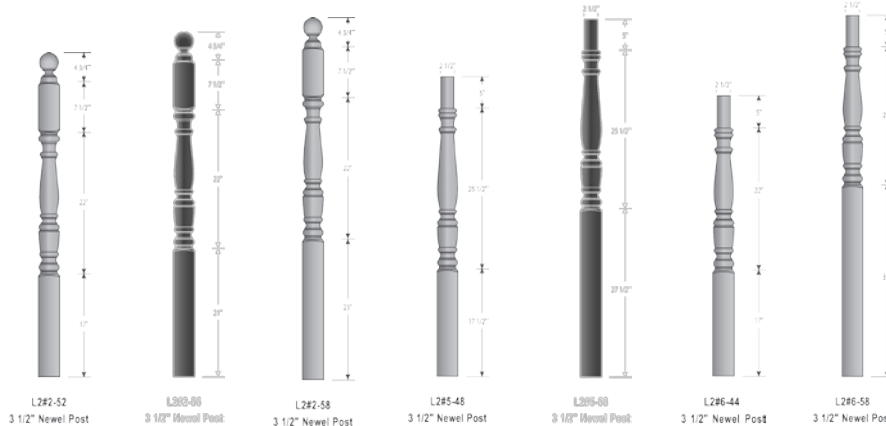


(858) 614-1800



Part No.	Qty./Box	Oak	Maple	Poplar	Cherry	Euro Beech
3010T-44	1	161.21	200.60	142.07	274.86	190.58
3013T-44	1	161.21	200.60	142.07	274.86	190.58
3015T-56	1	205.81	258.31	165.79	327.01	245.39
3042T-56	1	205.81	258.31	165.79	327.01	245.39
3045T-56	1	205.81	258.31	165.79	327.01	245.39
3045T-13FC-56	1	205.81	258.31	165.79	327.01	245.39

# Tradewinds Newels



Part No.	Qty./Box	Oak	Maple	Poplar	Cherry	Euro Beech
L2#2-52	1	107.70	162.13	74.56	230.72	143.03
L2#2-56	1	117.95	173.38	83.53	236.14	164.73
L2#2-58	1	122.16	178.62	86.52	244.57	169.69
L2#5-48	1	99.87	144.27	65.26	207.47	137.06
L2#5-58	1	122.16	178.62	86.52	244.57	169.69
L2#6-44	1	93.81	136.03	61.59	207.47	129.22
L2#6-58	1	122.16	178.62	86.52	244.57	169.69

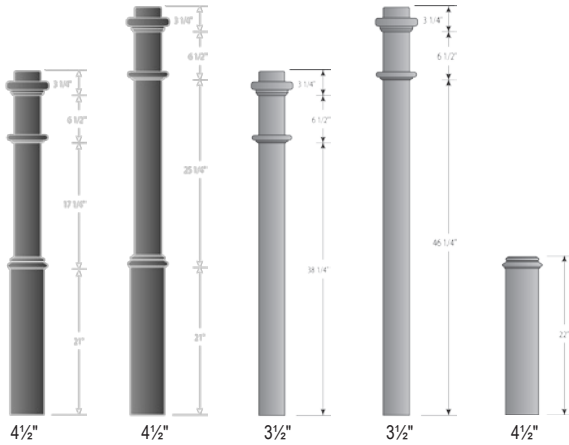
# Traditional Newels



Part No.	Qty./Box	Oak	Maple	Poplar	Cherry	Euro Beech
<b>4040BT-48</b>	<b>1</b>	<b>82.35</b>	<b>101.84</b>	<b>52.98</b>	<b>175.85</b>	<b>92.67</b>
<b>4040BTS-48</b>	<b>1</b>	<b>82.35</b>	<b>99.80</b>	<b>52.98</b>	<b>175.85</b>	<b>92.67</b>
<b>4040MT-48</b>	<b>1</b>	<b>82.35</b>	<b>101.84</b>	<b>52.98</b>	<b>175.85</b>	<b>92.67</b>
<b>4040MTS-48</b>	<b>1</b>	<b>82.35</b>	<b>101.84</b>	<b>52.98</b>	<b>175.85</b>	<b>92.67</b>
<b>4042BT-54</b>	<b>1</b>	<b>93.68</b>	<b>111.48</b>	<b>61.17</b>	<b>196.48</b>	<b>103.12</b>
<b>4042BT-59</b>	<b>1</b>	<b>104.71</b>	<b>139.26</b>	<b>67.66</b>	<b>213.64</b>	<b>132.29</b>
<b>4042BTS-54</b>	<b>1</b>	<b>93.68</b>	<b>111.48</b>	<b>61.17</b>	<b>196.48</b>	<b>103.12</b>
<b>4042MT-54</b>	<b>1</b>	<b>93.68</b>	<b>111.48</b>	<b>61.17</b>	<b>196.48</b>	<b>103.12</b>
<b>4042MT-59</b>	<b>1</b>	<b>100.42</b>	<b>121.48</b>	<b>67.66</b>	<b>196.48</b>	<b>110.95</b>
<b>4042MTS-54</b>	<b>1</b>	<b>93.68</b>	<b>111.48</b>	<b>61.17</b>	<b>196.48</b>	<b>103.12</b>
<b>4045BT-59</b>	<b>1</b>	<b>100.42</b>	<b>121.48</b>	<b>67.66</b>	<b>196.48</b>	<b>110.95</b>
<b>4045BT13F-59</b>	<b>1</b>	<b>100.42</b>	<b>121.48</b>	<b>67.66</b>	<b>196.48</b>	<b>110.95</b>
<b>4045BTS-59</b>	<b>1</b>	<b>100.42</b>	<b>121.48</b>	<b>67.66</b>	<b>196.48</b>	<b>110.95</b>
<b>4045BTS13F-59</b>	<b>1</b>	<b>100.42</b>	<b>121.48</b>	<b>67.66</b>	<b>196.48</b>	<b>110.95</b>
<b>4045MT-59</b>	<b>1</b>	<b>100.42</b>	<b>121.48</b>	<b>67.66</b>	<b>196.48</b>	<b>110.95</b>
<b>4045MT13F-59</b>	<b>1</b>	<b>100.42</b>	<b>121.48</b>	<b>67.66</b>	<b>196.48</b>	<b>110.95</b>
<b>4045MTS-59</b>	<b>1</b>	<b>100.42</b>	<b>121.48</b>	<b>67.66</b>	<b>196.48</b>	<b>110.95</b>
<b>4045MTS13F-59</b>	<b>1</b>	<b>100.42</b>	<b>121.48</b>	<b>67.66</b>	<b>196.48</b>	<b>110.95</b>

Newels

# Box Newels



960-48

961-56

962-48

963-56

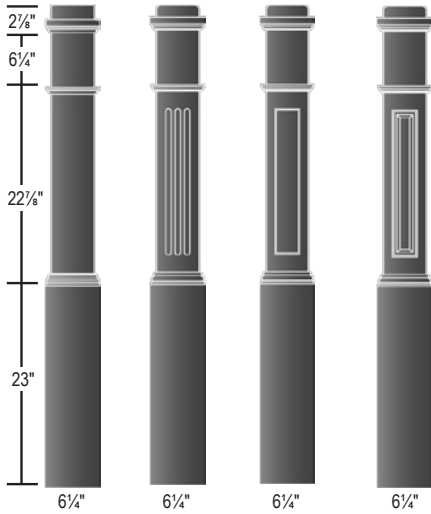
959

Sleeve for 962 or 963

Part No.	Qty./Box	Oak	Maple	Poplar	Cherry
960-48	1	161.69	202.11	130.36	232.43
961-56	1	176.85	222.32	138.45	272.85
962-48	1	121.26	151.59	90.95	165.73
963-56	1	131.37	171.80	96.00	242.54
959	1	53.87	60.42	49.43	87.39



(858) 614-1800

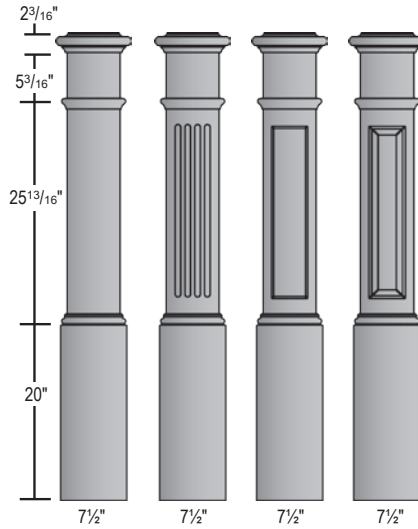


LJ-4091

LJF-4091

LJRC-4091

LJRA-4091

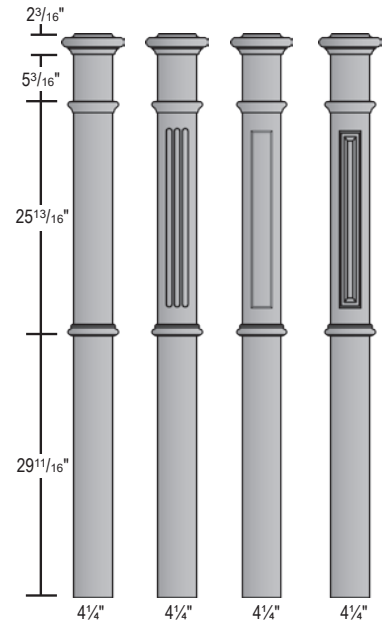


LJ-4092

LJ-4093

LJ-4094

LJ-4095

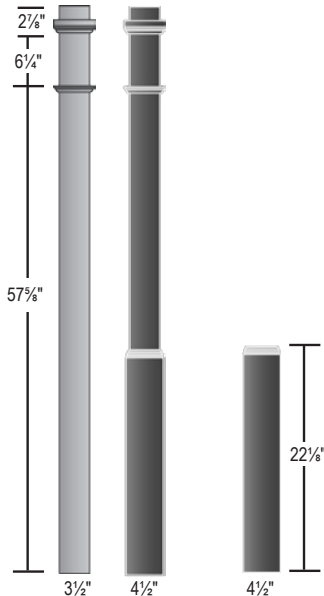


LJ-4392

LJ-4393

LJ-4394

LJ-4395



LJ-4075

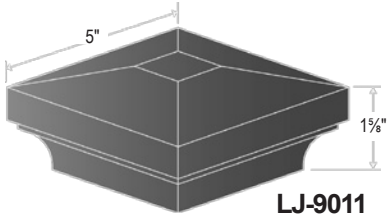
LJ-4175

LJ-4175SL  
Sleeve for LJ-4075

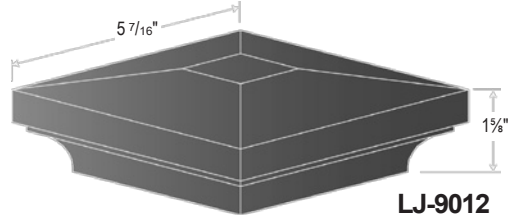
Part No.	Qty./Box	Oak	Maple	Poplar	Cherry
LJ-4075	1	157.17	191.84	114.85	268.77
LJ-4175	1	211.05	252.26	164.29	356.16
LJ-4175SL	1	53.87	60.42	49.43	87.39
LJ-4091	1	297.95	369.26	273.76	375.62
LJF-4091	1	318.33	388.36	292.86	394.72
LJRC-4091	1	318.33	388.36	292.86	394.72
LJRA-4091	1	323.68	393.71	298.21	400.07
LJ-4092	1	375.62	496.59	324.69	687.58
LJ-4093	1	375.62	496.59	324.69	687.58
LJ-4094	1	375.62	496.59	324.69	687.58
LJ-4095	1	375.62	496.59	324.69	687.58
LJ-4392	1	337.42	445.66	292.86	617.55
LJ-4393	1	337.42	445.66	292.86	617.55
LJ-4394	1	337.42	445.66	292.86	617.55
LJ-4395	1	337.42	445.66	292.86	617.55

Box Newels

# Box Newel Caps & Accessories



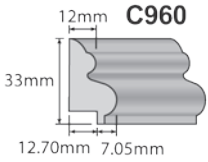
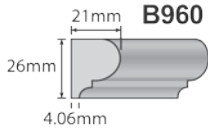
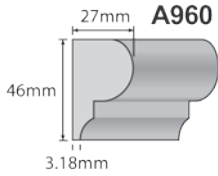
**LJ-9011**  
3" Cap



**LJ-9012**  
3 1/2" Cap

The mouldings below are used on the following Box Newels:

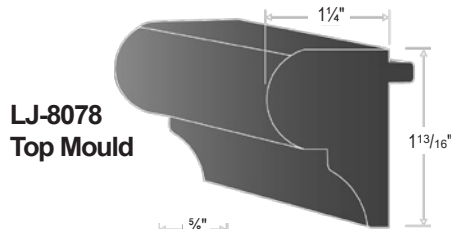
960  
961  
962  
963



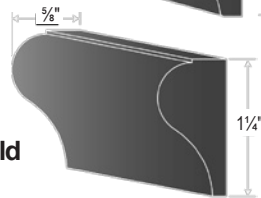
(These Mouldings sold in 6' sections)

The mouldings below are used on the following Box Newels:

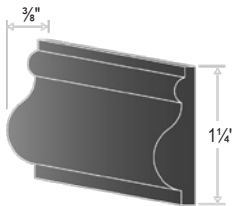
LJ-4091  
LJF-4091  
LJRC-4091  
LJRA-4091



**LJ-8078**  
Top Mould



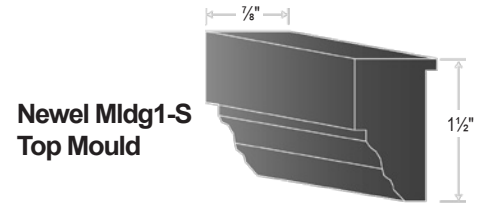
**LJ-9200**  
Middle Mould



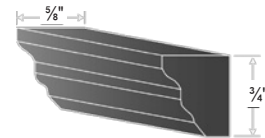
**LJ-9202**  
Bottom Mould

The mouldings below are used on the following Box Newels:

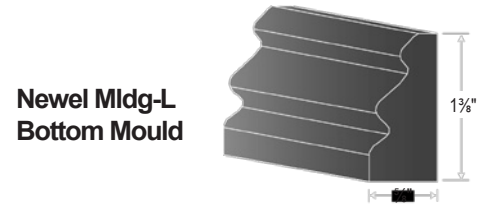
LJ-4092 LJ-4392  
LJ-4093 LJ-4393  
LJ-4094 LJ-4394  
LJ-4095 LJ-4395



**Newel Mldg1-S**  
Top Mould



**Newel Mldg-S**  
Middle Mould

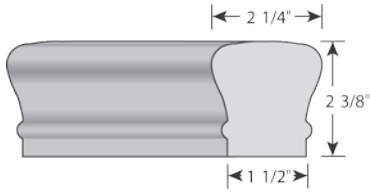


**Newel Mldg-L**  
Bottom Mould

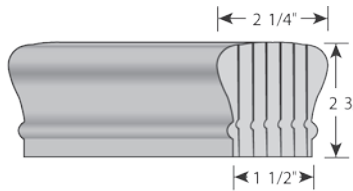
Part No.	Price Qty.	Oak	Maple	Poplar	Cherry
LJ-9011	1	14.08	15.44	12.78	N/A
LJ-9012	1	14.93	16.42	13.44	N/A
A960-06	6'	25.61	32.98	20.21	38.47
B960-06	6'	16.18	20.61	13.48	25.42
C960-06	6'	17.53	21.99	14.83	27.48
LJ-8078	1'	5.89	11.63	N/A	15.86
LJ-9200	1'	2.70	3.43	2.25	4.24
LJ-9202	1'	2.92	3.66	2.47	4.58
NEWEL MLDG1-S	1'	4.27	5.50	3.37	6.41
NEWEL MLDG-S	1'	2.70	3.43	2.25	4.24
NEWEL MLDG-L	1'	2.92	3.66	2.47	4.58

- Stock part numbers are shaded
- Each split Box Newel will incur a \$35 net cutting charge and both halves will be shipped

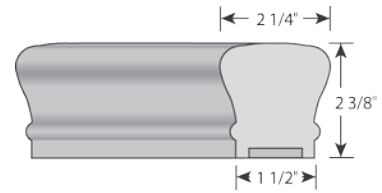
# 6010 Hand Rails & Fittings



6010 Handrail



6010 Bending Rail



6010 Plow 1 1/4"

Hand Rail						
Part No.	Foot	Oak	Maple	Poplar	Cherry	Euro Beech
LJ-6010C	1'	8.99	17.24	7.37	29.48	N/A
LJ-6010C	15-16'	11.24	21.55	7.37	36.85	N/A
E6010	1'	8.72	13.58	7.37	22.84	11.10

Bending Rail						
Part No.	Foot	Oak	Maple	Poplar	Cherry	Euro Beech
6010-BR	1'	15.63	29.45	N/A	41.87	N/A
6010-BR	15-16'	19.54	36.81	N/A	52.33	N/A
E6010-BR	1'	15.63	25.03	N/A	29.43	N/A
LJ-6010BM	1'	3.03	<b>WOOD BENDING MOULD</b>			
LJ-6910BM-08	8' pc.	75.30	<b>POLYVINYL BENDING MOULD</b>			

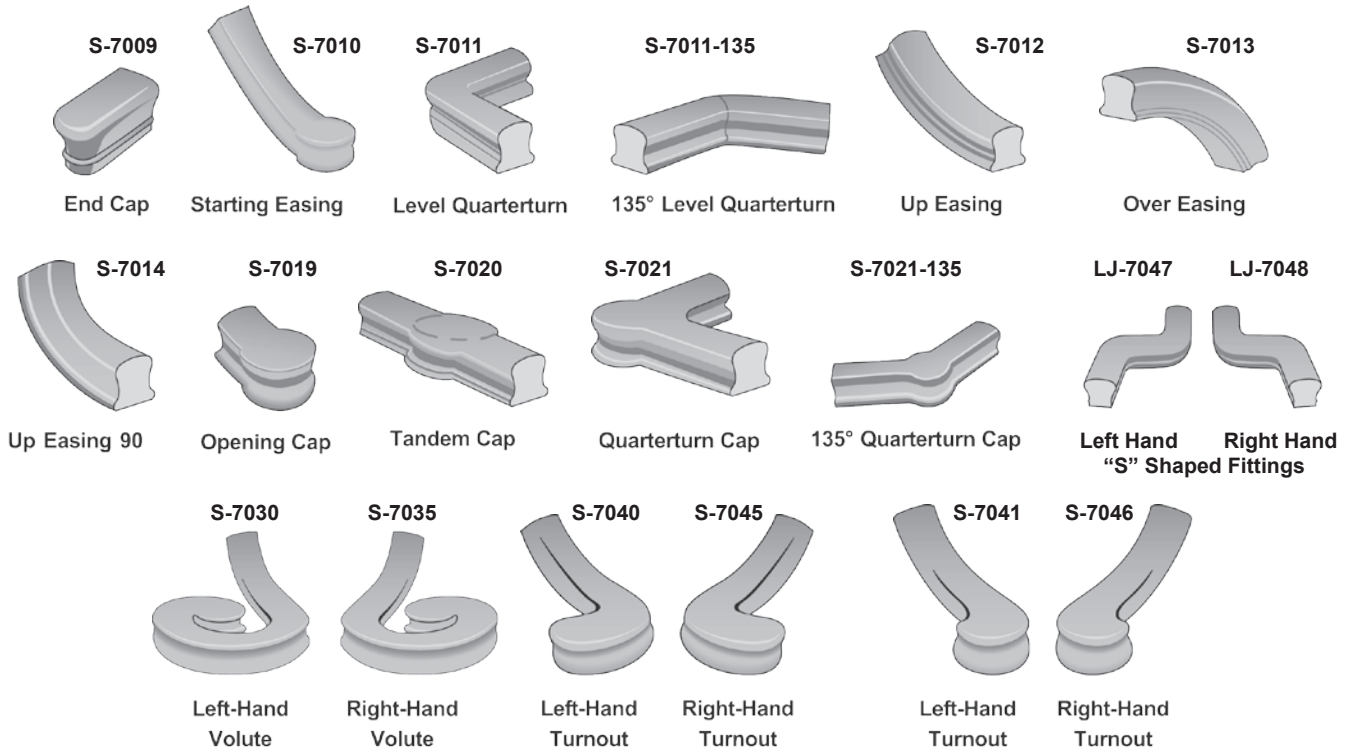
Plow Charge						
Part No.	Foot	Oak	Maple	Poplar	Cherry	Euro Beech
	1'	.22	.22	.22	.22	.22

- Hand Rail that is plowed to order is non-returnable
- 16' Hand rails will be a minimum of 15' 6"
- 25% adder for 15-16' lengths
- All other lengths will be rounded up at 10" - e.g. 13' 10" = 14'
- All Lineal Items sold and billed in 1' increments
- With the exception of engineered rail (E), all rails are solid ply
- Special/Non-Stock lineal items - please call for availability/pricing
- Specified lengths are available on a mill approved basis



(858) 614-1800

# 6010 Hand Rails & Fittings



Rail Fittings					
Part No.	Qty./ Box	Oak	Maple	Poplar	Cherry
S-7009	1	6.77	9.34	8.34	14.38
S-7010	1	33.31	50.50	23.01	68.02
S-7011	1	22.07	33.32	16.34	48.29
S-7011-135	1	29.15	51.07	31.64	63.31
S-7012	1	22.07	34.49	16.34	46.37
S-7013	1	22.07	34.49	16.34	46.37
S-7014	1	25.01	38.83	18.43	51.68
S-7019	1	16.65	23.45	10.72	29.61
S-7020	1	21.35	32.68	15.52	41.59
S-7021	1	28.83	43.74	20.72	58.48
S-7021-135	1	31.95	58.75	36.70	73.43
LJ-7047	1	40.81	60.78	37.99	75.97
LJ-7048	1	40.81	60.78	37.99	75.97
S-7030	1	82.44	131.78	55.38	166.37
S-7035	1	82.44	131.78	55.38	166.37
S-7040	1	47.78	71.41	36.22	89.98
S-7045	1	47.78	71.41	36.22	89.98
S-7041	1	66.63	85.09	52.86	106.36
S-7046	1	66.63	85.09	52.86	106.36

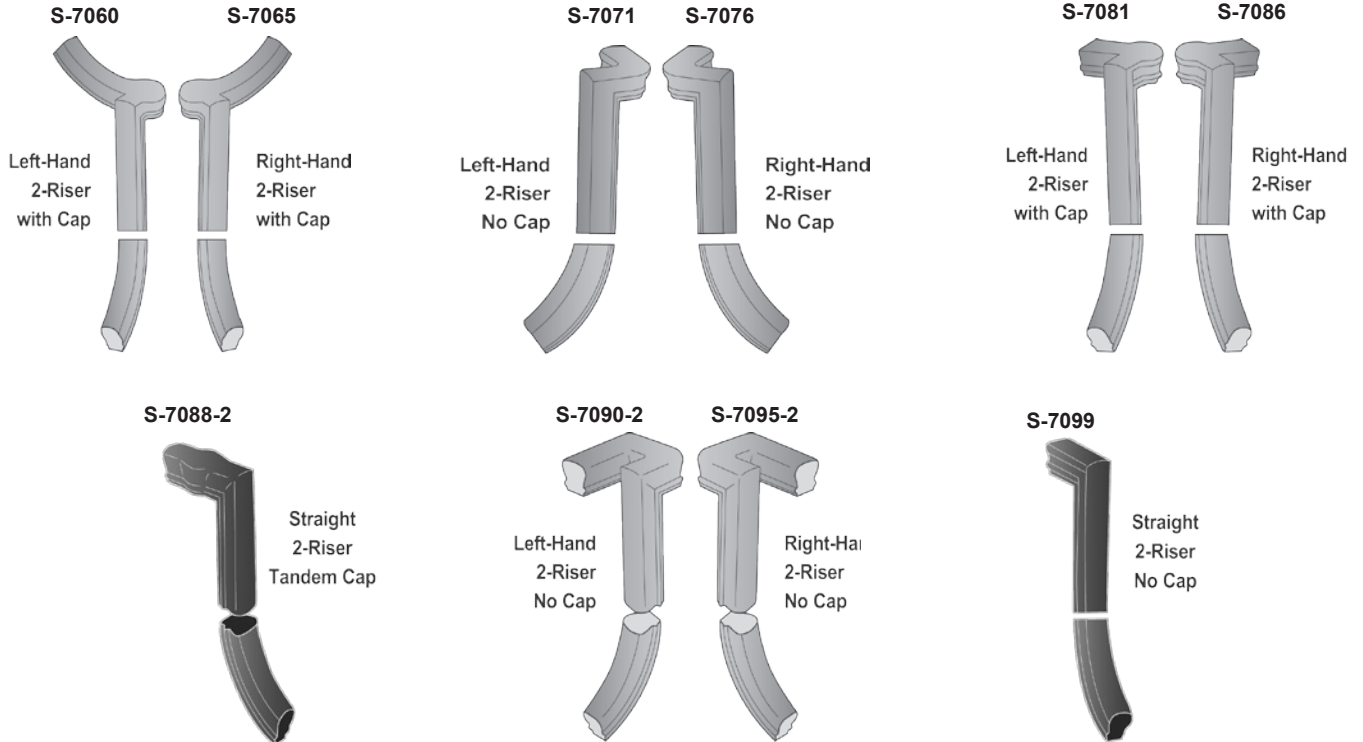
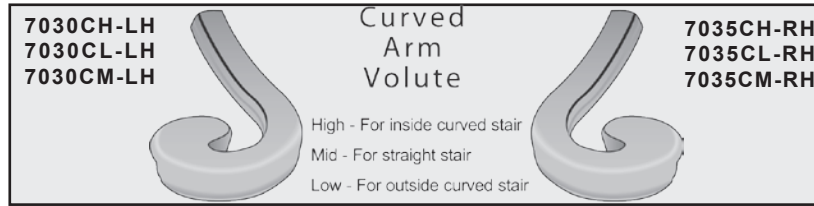
6010 FITTINGS CONTINUE ON THE NEXT PAGE.

• Stock part numbers are shaded



(858) 614-1800

# 6010 Hand Rails & Fittings

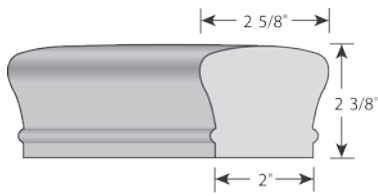


Curved Arm Volutes & Gooseneck Fittings					
Part No.	Qty./Box	Oak	Maple	Poplar	Cherry
7030CH-LH	1	298.35	329.76	256.48	509.03
7030CL-LH	1	298.35	329.76	256.48	509.03
7030CM-LH	1	298.35	329.76	256.48	509.03
7035CH-RH	1	298.35	329.76	256.48	509.03
7035CL-RH	1	298.35	329.76	256.48	509.03
7035CM-RH	1	298.35	329.76	256.48	509.03
S-7060	1	90.66	208.65	130.40	258.29
S-7065	1	90.66	208.65	130.40	258.29
S-7071	1	67.88	141.81	88.63	177.26
S-7076	1	67.88	141.81	88.63	177.26
S-7081	1	72.24	151.94	94.94	189.93
S-7086	1	72.24	151.94	94.94	189.93
S-7088-2	1	60.27	137.76	86.10	172.20
S-7090-2	1	96.49	192.46	129.15	219.47
S-7095-2	1	96.49	192.46	129.15	219.47
S-7099	1	49.96	105.34	65.84	131.67

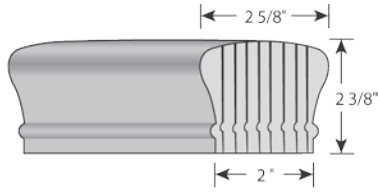
• Stock part numbers are shaded

Rail & Fittings

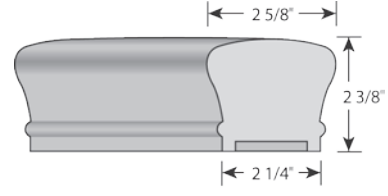
# 6210 Hand Rails & Fittings



6210 Handrail



6210 Bending Rail (9 piece)



6210 Plow 1 3/4"

Hand Rail				
Part No.	Foot	Oak	Maple	Poplar
LJ-6210C	1'	12.40	18.61	7.96
LJ-6210C	15-16'	15.50	23.26	7.96

Bending Rail				
Part No.	Foot	Oak	Maple	Poplar
6210-IP *	1'	4.25	5.89	4.01
LJ-6010BM	1'	3.03	WOOD BENDING MOULD	
LJ-6910BM-08	8' pc	75.30	POLYVINYL BENDING MOULD	

\* Inside pieces (2 layers/ply needed) to convert 6010-BR bending rail to 6210 bending rail. Order 2' of 6210-IP for every 1' of 6010-BR. Inside pieces must be profiled at top after glue up.

Plow Charge				
Part No.	Foot	Oak	Maple	Poplar
	1'	.22	.22	.22

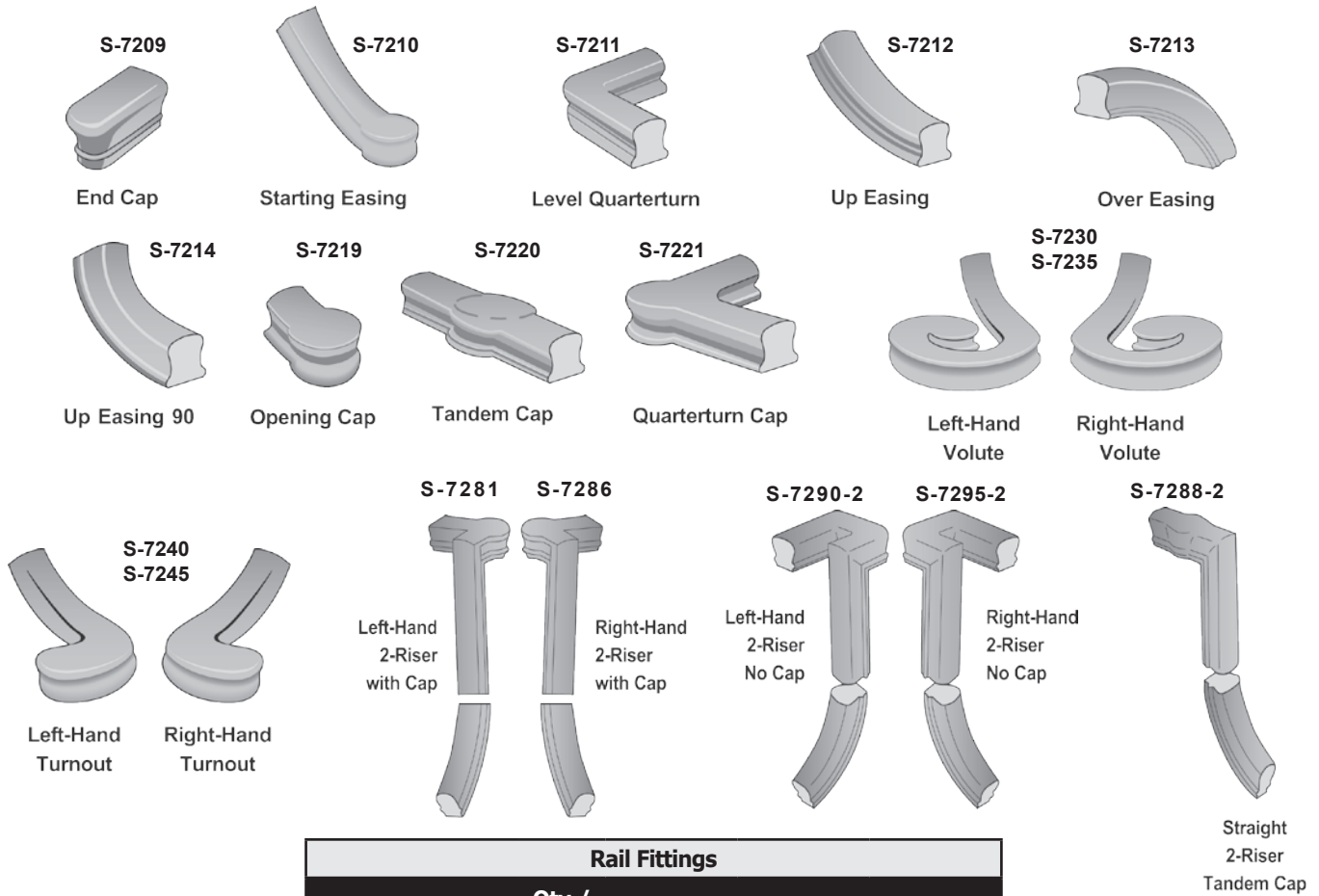
- Hand Rail that is plowed to order is non-returnable
- 16' Hand rails will be a minimum of 15' 6"
- All other lengths will be rounded up at 10" - e.g. 13' 10" = 14'
- All Lineal Items sold and billed in 1' increments
- With the exception of engineered rail (E), all rails are solid ply
- Special/Non-Stock lineal items - please call for availability/pricing
- Specified lengths are available on a mill approved basis



(858) 614-1800



# 6210 Hand Rails & Fittings



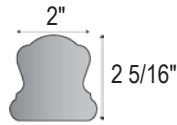
Rail Fittings				
Part No.	Qty./ Box	Oak	Maple	Poplar
S-7209	1	10.30	14.01	9.36
S-7210	1	51.01	77.24	44.97
S-7211	1	38.00	58.36	32.34
S-7212	1	33.83	51.99	30.31
S-7213	1	33.83	51.99	30.31
S-7214	1	38.30	59.42	31.83
S-7219	1	25.51	36.08	22.74
S-7220	1	32.68	49.87	29.81
S-7221	1	44.13	66.84	55.58
S-7230	1	124.90	175.07	106.11
S-7235	1	124.90	175.07	106.11
S-7240	1	72.86	100.80	69.73
S-7245	1	72.86	100.80	69.73
S-7281	1	158.18	189.93	142.42
S-7286	1	158.18	189.93	142.42
S-7290-2	1	191.95	223.68	176.19
S-7295-2	1	191.95	223.68	176.19
S-7288-2	1	143.50	172.20	129.15

• Stock part numbers are shaded



(858) 614-1800

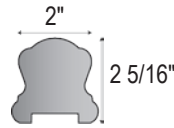
# 6B10 Hand Rails & Fittings



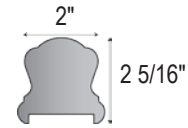
LJ-6B10  
Handrail



LJ-6B10B  
Bending Rail



LJ-6B10  
Plowed 1 1/4"



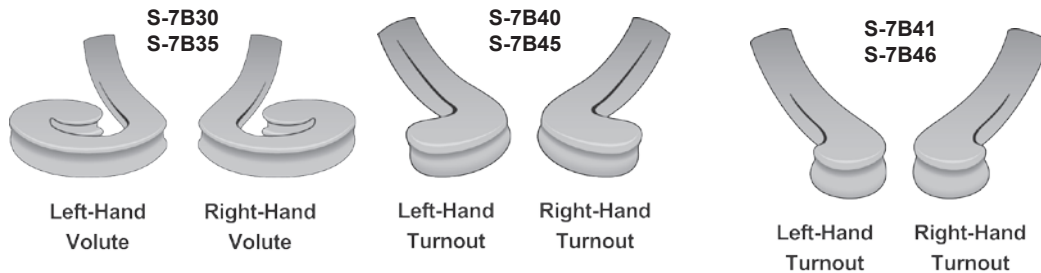
LJ-6B10  
Plowed 1 3/4"

Hand Rail					
Part No.	Foot	Oak	Maple	Poplar	Cherry
LJ-6B10C	1'	9.70	17.00	8.59	17.44
LJ-6B10C	15-16'	10.28	21.25	8.59	21.80

Bending Rail					
Part No.	Foot	Oak	Maple	Poplar	Cherry
LJ-6B10B	1'	22.99	33.06	20.69	41.40
LJ-6B10B	15-16'	28.74	41.33	20.69	51.75
LJ-6B10BM-PN	1'	3.24	WOOD BENDING MOULD		
LJ-6B10BM-08	8' pc	76.44	POLYVINYL BENDING MOULD		

Plow Charge					
Part No.	Foot	Oak	Maple	Poplar	Cherry
	1'	.22	.22	.22	.22

- Hand Rail that is plowed to order is non-returnable
- 16' Hand rails will be a minimum of 15' 6". All other lengths will be rounded up at 10" - e.g. 13' 10" = 14'
- All Lineal Items sold and billed in 1' increments. Specified lengths are available on a mill approved basis
- The above rails are solid ply

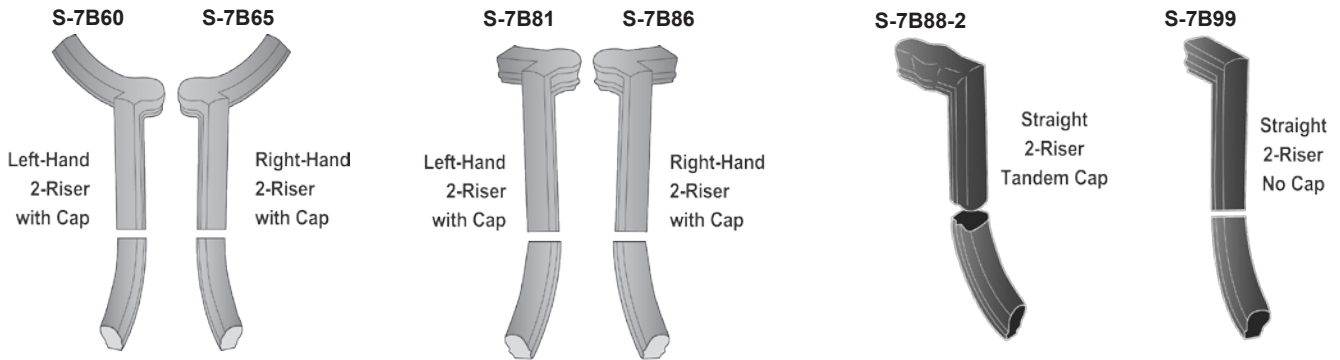
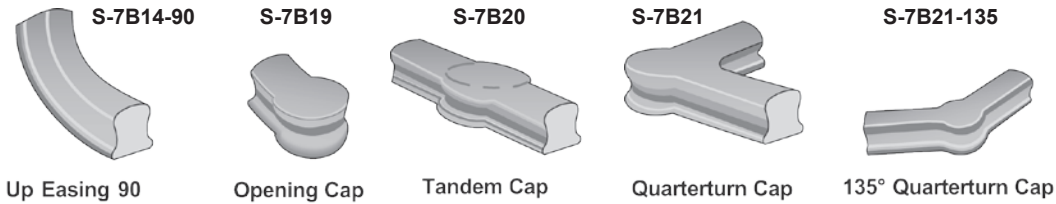
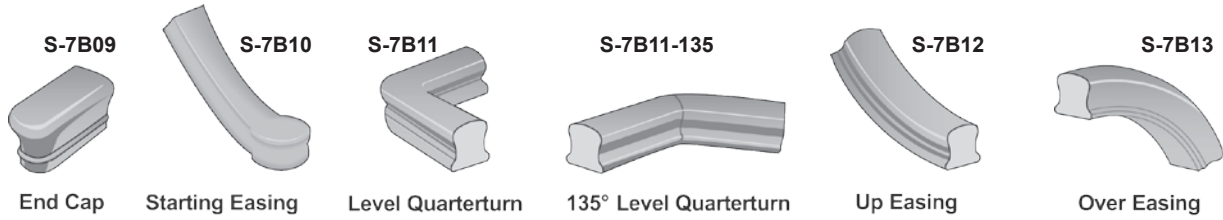


Rail Fittings					
Part No.	Qty./Box	Oak	Maple	Poplar	Cherry
S-7B30	1	139.65	144.04	108.03	180.05
S-7B35	1	139.65	144.04	108.03	180.05
S-7B40	1	77.77	93.33	69.99	116.65
S-7B45	1	77.77	93.33	69.99	116.65
S-7B41	1	77.77	93.33	69.99	116.65
S-7B46	1	77.77	93.33	69.99	116.65

6B10 FITTINGS CONTINUE ON THE NEXT PAGE.

- Stock part numbers are shaded

# 6B10 Hand Rails & Fittings



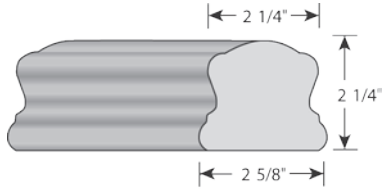
Rail Fittings					
Part No.	Qty./Box	Oak	Maple	Poplar	Cherry
S-7B09	1	26.24	27.10	24.01	39.34
S-7B10	1	64.97	73.04	61.44	97.46
S-7B11	1	50.03	52.83	45.80	75.06
S-7B11-135	1	62.54	71.68	57.25	93.82
S-7B12	1	50.03	52.83	45.80	75.06
S-7B13	1	50.03	52.83	45.80	75.06
S-7B14-90	1	47.65	52.29	43.61	71.48
S-7B19	1	34.49	36.52	45.65	61.20
S-7B20	1	45.90	48.29	42.03	68.85
S-7B21	1	60.84	64.92	55.70	91.25
S-7B21-135	1	76.04	79.78	69.62	105.50
S-7B60	1	208.20	292.13	219.40	365.67
S-7B65	1	208.20	292.13	219.40	365.67
S-7B81	1	208.20	225.30	187.39	312.30
S-7B86	1	208.20	225.30	187.39	312.30
S-7B88-2	1	171.61	193.14	154.43	257.41
S-7B99	1	143.51	155.29	129.17	215.25

• Stock part numbers are shaded

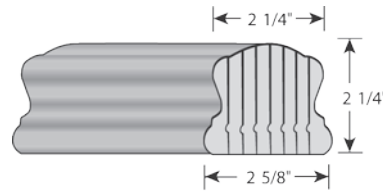


(858) 614-1800

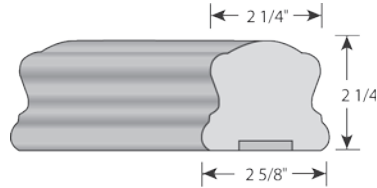
# 8000 Hand Rails & Fittings



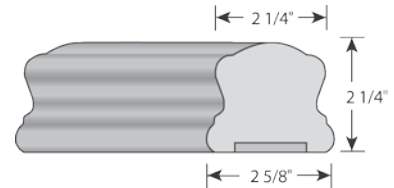
8000 Handrail



8000 Bending Rail (8 piece)



8000 Plow 1 1/4"



8000 Plow 1 3/4"

Hand Rail					
Part No.	Foot	Oak	Maple	Poplar	Cherry
8000-SR	1'	11.19	18.14	7.42	38.47
E8000	1'	10.52	14.56	7.42	24.65
8000-SR	15-16'	14.00	22.67	7.42	48.09

Bending Rail					
Part No.	Foot	Oak	Maple	Poplar	Cherry
8000-BR	1'	20.90	34.08	20.61	65.95
8000-BR	15-16'	26.13	42.60	20.61	82.44
LJ-6B10BM-PN	1'	3.24	WOOD BENDING MOULD		
LJ-6B10BM-08	8' pc	76.44	POLYVINYL BENDING MOULD		

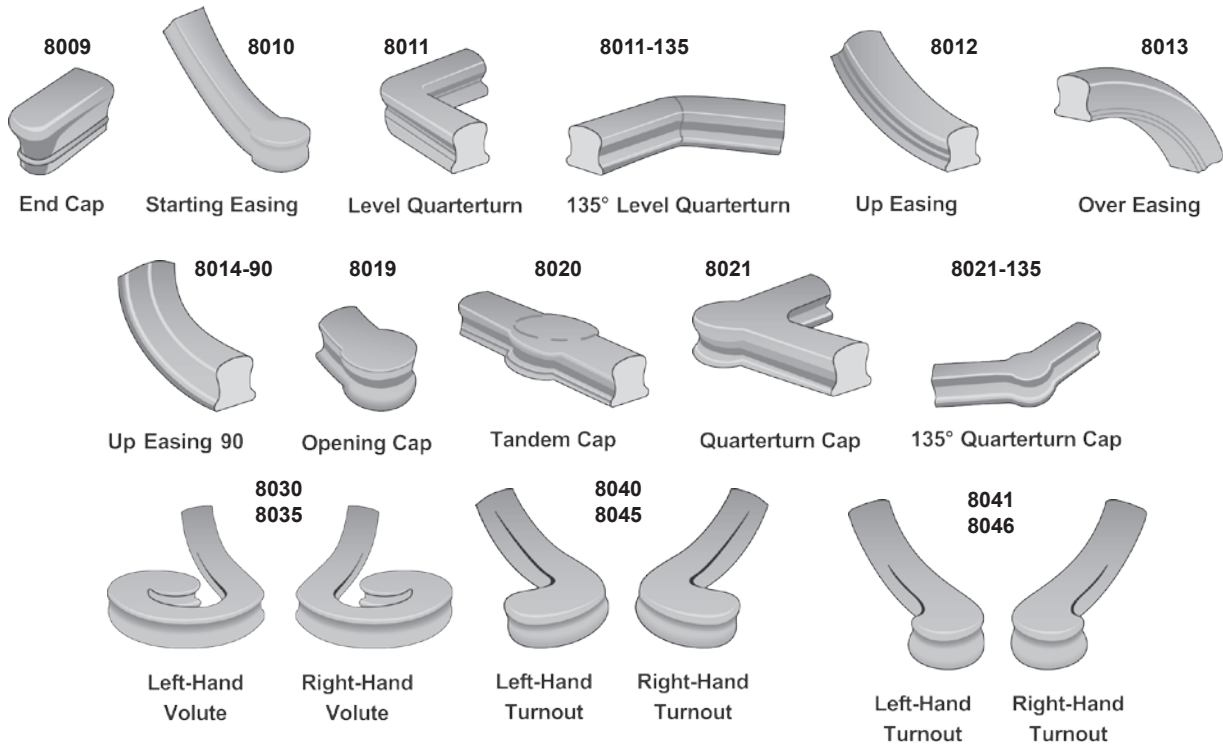
Plow Charge					
Part No.	Foot	Oak	Maple	Poplar	Cherry
	1'	.22	.22	.22	.22

- Hand Rail that is plowed to order is non-returnable
- 16' Hand rails will be a minimum of 15' 6"
- 25% adder for 15-16' lengths
- All other lengths will be rounded up at 10" - e.g. 13' 10" = 14'
- All Lineal Items sold and billed in 1' increments
- With the exception of engineered rail (E), all rails are solid ply
- Special/Non-Stock lineal items - please call for availability/pricing
- Specified lengths are available on a mill approved basis



(858) 614-1800

# 8000 Hand Rails & Fittings



Rail Fittings					
Part No.	Qty./ Box	Oak	Maple	Poplar	Cherry
8009-RE	1	8.23	22.61	20.08	33.47
8010-SE	1	38.41	52.42	60.25	100.42
8011-LQ	1	28.00	36.62	43.52	72.52
8011-135-DT	1	39.34	51.43	60.25	100.42
8012-UE	1	28.00	36.19	40.17	66.95
8013-OE	1	28.00	36.19	43.52	72.52
8014-90-UE	1	31.01	39.69	43.52	72.52
8019-OC	1	18.74	24.51	30.13	50.22
8020-TC	1	24.88	34.59	36.82	61.36
8021-QC	1	33.10	45.53	53.55	89.26
8021-135-DT	1	39.34	51.43	60.25	100.42
8030-LH	1	91.50	134.87	118.81	198.04
8035-RH	1	91.50	134.87	118.81	198.04
8040-LH	1	51.95	73.33	76.99	128.31
8045-RH	1	51.94	73.33	76.99	128.31
8041-LH	1	85.55	102.66	76.99	128.31
8046-RH	1	85.55	102.66	76.99	128.31

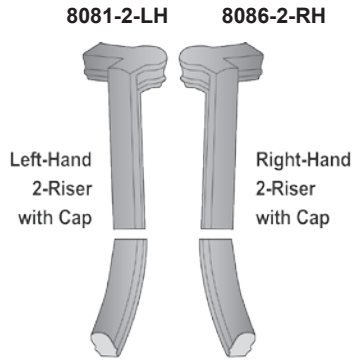
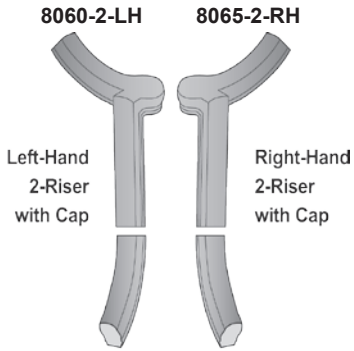
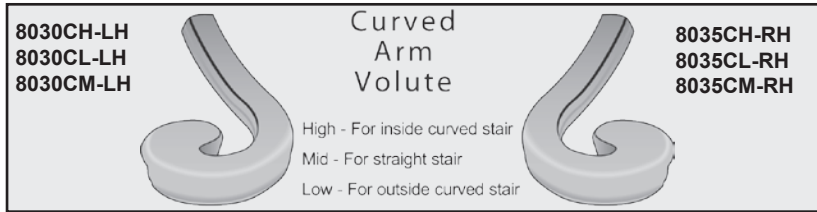
8000 FITTINGS CONTINUE ON THE NEXT PAGE.

• Stock part numbers are shaded



(858) 614-1800

# 8000 Hand Rails & Fittings



Curved Arm Volutes & Gooseneck Fittings					
Part No.	Qty./ Box	Oak	Maple	Poplar	Cherry
<b>8030CH-LH</b>	1	298.35	329.76	256.48	509.03
<b>8030CL-LH</b>	1	298.35	329.76	256.48	509.03
<b>8030CM-LH</b>	1	298.35	329.76	256.48	509.03
<b>8035CH-RH</b>	1	298.35	329.76	256.48	509.03
<b>8035CL-RH</b>	1	298.35	329.76	256.48	509.03
<b>8035CM-RH</b>	1	298.35	329.76	256.48	509.03
<b>8060-2-LH</b>	1	268.16	321.35	241.32	402.22
<b>8065-2-RH</b>	1	268.16	321.35	241.32	402.22
<b>8081-2-LH</b>	1	195.26	234.32	175.73	292.88
<b>8086-2-RH</b>	1	195.26	234.32	175.73	292.88
<b>8088-2-TC</b>	1	177.03	212.44	159.32	265.56
<b>8099-2-NC</b>	1	135.39	162.44	121.82	203.08

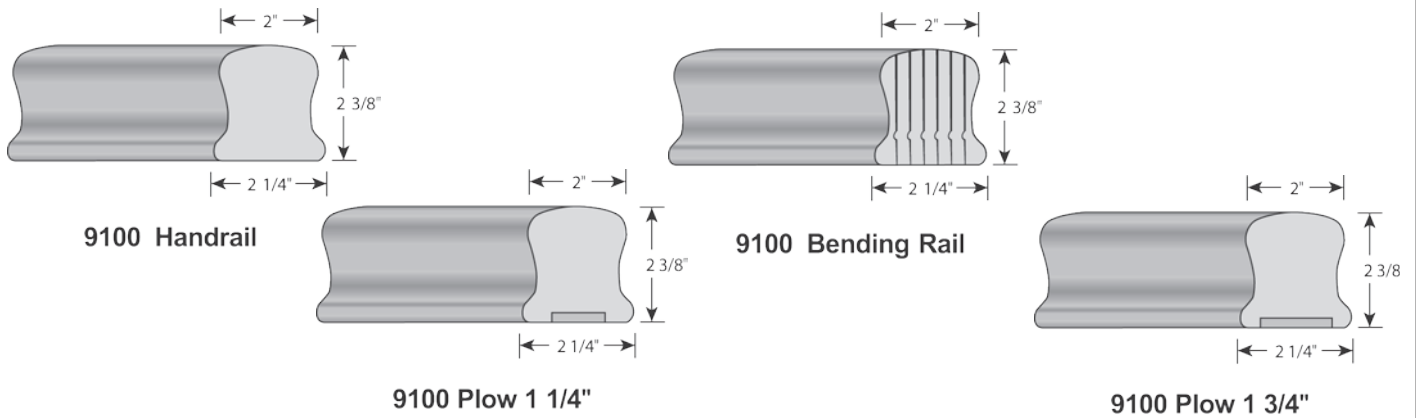
• Stock part numbers are shaded



(858) 614-1800

Rail & Fittings

# 9100 Hand Rails & Fittings



Hand Rail						
Part No.	Foot	Oak	Maple	Poplar	Cherry	Euro Beech
9100-SR	1'	8.36	16.66	6.74	29.54	N/A
E9100	1'	8.83	14.71	6.74	22.65	11.72
9100-SR	15-16'	10.45	20.83	6.74	36.93	N/A

Bending Rail						
Part No.	Foot	Oak	Maple	Poplar	Cherry	Euro Beech
9100-BR	1'	15.63	30.37	11.99	43.29	N/A
E9100-BR	1'	18.75	22.88	N/A	26.05	19.98
9100-BR	15-16'	19.54	37.96	11.99	54.12	N/A
9100W-BM	1'	3.04	WOOD BENDING MOULD			
9100P-BM	8' pc	75.50	POLYVINYL BENDING MOULD			

Plow Charge						
Part No.	Foot	Oak	Maple	Poplar	Cherry	Euro Beech
	1'	.22	.22	.22	.22	.22

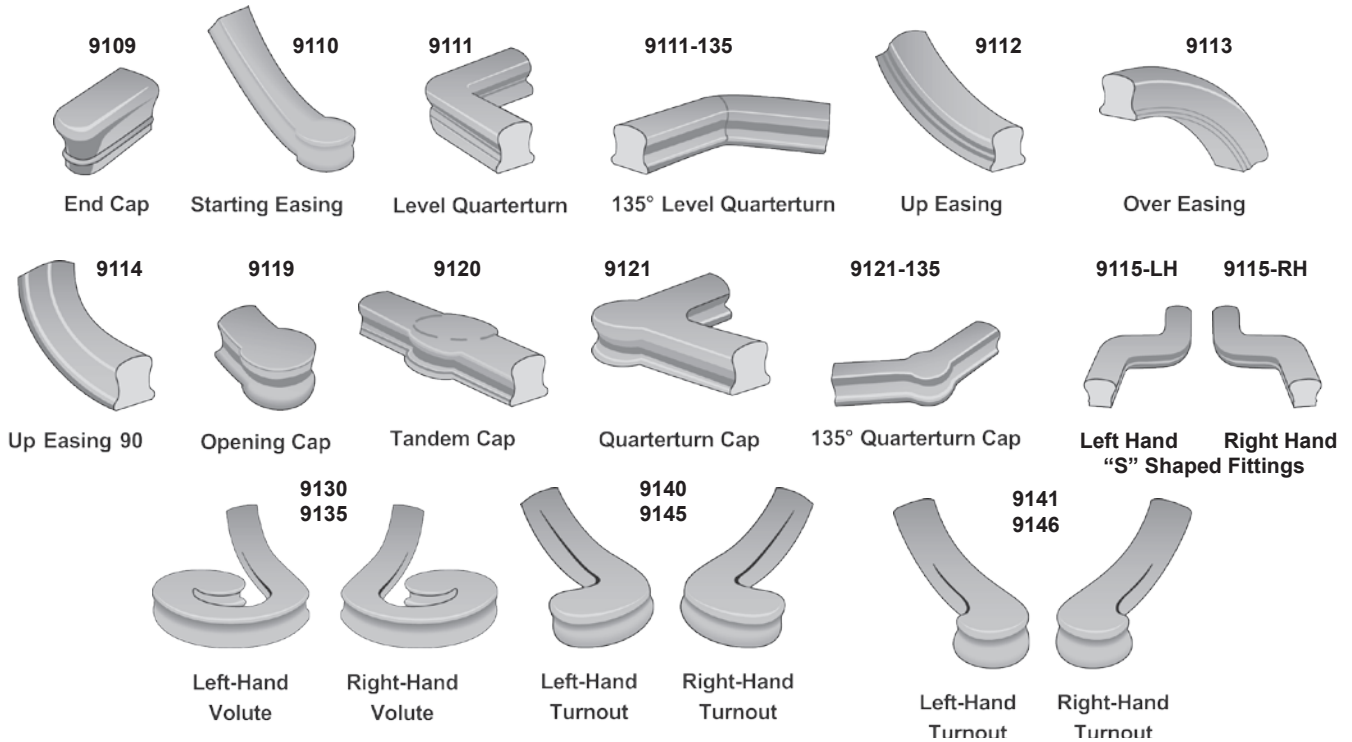
- Hand Rail that is plowed to order is non-returnable
- 16' Hand rails will be a minimum of 15' 6"
- 25% adder for 15-16' lengths
- All other lengths will be rounded up at 10" - e.g. 13' 10" = 14'
- All Lineal Items sold and billed in 1' increments
- With the exception of engineered rail (E), all rails are solid ply
- Special/Non-Stock lineal items - please call for availability/pricing
- Specified lengths are available on a mill approved basis



(858) 614-1800

Rail & Fittings

# 9100 Hand Rails & Fittings



Rail Fittings						
Part No.	Qty./Box	Oak	Maple	Poplar	Cherry	Euro Beech
9109-RE	1	10.35	14.09	9.36	16.45	13.05
9110-SE	1	33.31	50.50	23.01	68.02	46.60
9111-LQ	1	22.07	33.32	16.34	48.29	28.17
9111-135-DT	1	29.15	40.75	20.46	54.87	36.94
9112-UE	1	22.07	34.49	16.34	46.37	31.31
9113-OE	1	22.07	34.49	16.34	46.37	31.31
9114-UE	1	24.98	38.83	18.43	51.68	37.17
9119-OC	1	16.65	23.45	10.72	29.61	20.80
9120-TC	1	21.35	32.68	15.52	41.59	28.63
9121-QC	1	28.83	43.72	21.10	58.48	38.28
9121-135-DT	1	31.95	48.08	27.22	60.68	42.63
9115-LH	1	40.81	63.76	31.79	85.75	57.89
9115-RH	1	40.81	63.76	31.79	85.75	57.89
9130-LH	1	82.44	131.78	55.38	166.37	121.05
9135-RH	1	82.44	131.78	55.38	166.37	121.05
9140-LH	1	47.78	71.41	38.76	89.98	62.99
9145-RH	1	47.78	71.41	38.76	89.98	62.99
9141-LH	1	78.11	93.39	58.56	117.15	62.99
9146-RH	1	78.11	93.39	58.56	117.15	62.99

9100 FITTINGS CONTINUE ON THE NEXT PAGE.

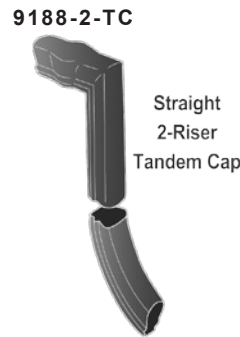
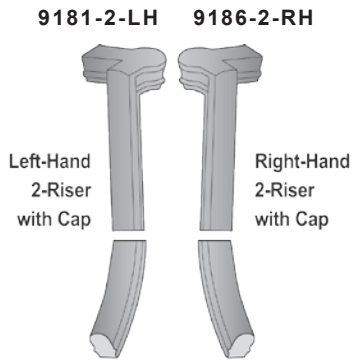
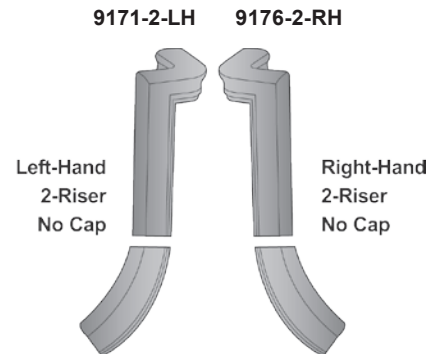
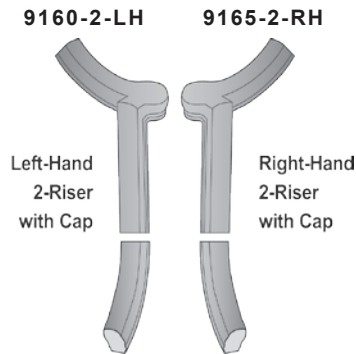
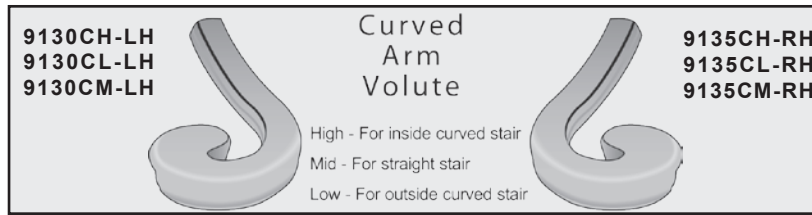
• Stock part numbers are shaded



(858) 614-1800



# 9100 Hand Rails & Fittings



Curved Arm Volutes & Gooseneck Fittings						
Part No.	Qty./Box	Oak	Maple	Poplar	Cherry	Euro Beech
9130CH-LH	1	298.35	329.76	256.48	509.03	316.68
9130CL-LH	1	298.35	329.76	256.48	509.03	316.68
9130CM-LH	1	298.35	329.76	256.48	509.03	316.68
9135CH-RH	1	298.35	329.76	256.48	509.03	316.68
9135CL-RH	1	298.35	329.76	256.48	509.03	316.68
9135CM-RH	1	298.35	329.76	256.48	509.03	316.68
9160-2-LH	1	90.66	229.86	143.64	284.52	114.04
9165-2-RH	1	90.66	229.86	143.64	284.52	114.04
9171-2-LH	1	130.18	156.21	97.62	195.26	86.40
9176-2-RH	1	130.18	156.21	97.62	195.26	86.40
9181-2-LH	1	139.47	167.37	104.58	209.20	91.21
9186-2-RH	1	139.47	167.37	104.58	209.20	91.21
9188-2-TC	1	126.45	151.75	94.84	189.69	88.23
9199-2-NC	1	96.71	116.04	72.52	145.05	75.65

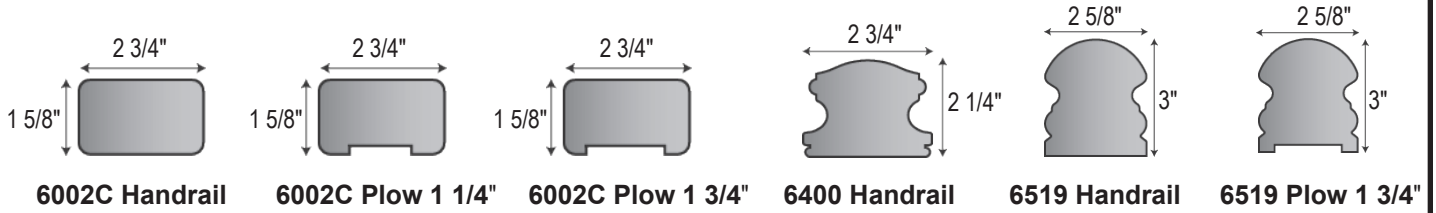
• Stock part numbers are shaded



(858) 614-1800

Rail & Fittings

# 6002, 6400 & 6519 Hand Rails

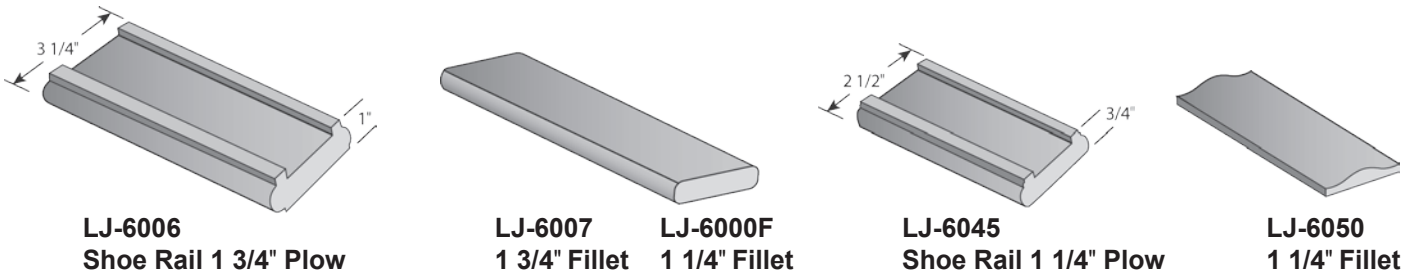


Hand Rail					
Part No.	Foot	Oak	Maple	Poplar	Cherry
LJ-6002C	1'	6.78	11.52	5.35	20.35
LJ-6002C	15-16'	8.48	14.40	5.35	25.44
LJ-6400C	1'	13.18	22.72	10.13	41.74
LJ-6400C	15-16'	16.48	28.40	10.13	52.18
LJ-6519C	1'	15.59	26.49	13.25	46.82
LJ-6519C	15-16'	19.49	33.11	13.25	79.00

Plow Charge					
Part No.	Foot	Oak	Maple	Poplar	Cherry
	1'	.22	.22	.22	.22

- Hand Rail that is plowed to order is non-returnable
- 16' Hand rails will be a minimum of 15' 6". All other lengths will be rounded up at 10" - e.g. 13' 10" = 14'
- 25% adder for 15-16' lengths
- All Lineal Items sold and billed in 1' increments. Specified lengths are available on a mill approved basis
- The above rails are solid ply

# Shoe Rails & Fillets



Shoe Rail						
Part No.	Foot	Oak	Maple	Poplar	Cherry	Euro Beech
LJ-6006C	1'	4.71	9.32	4.57	16.32	8.16
LJ-6006C	15-16'	5.89	11.65	4.57	20.40	N/A
LJ-6045C	1'	2.69	5.35	2.15	9.47	4.57
LJ-6045C	15-16'	3.36	6.69	2.15	11.84	N/A

Fillet						
Part No.	Foot	Oak	Maple	Poplar	Cherry	Euro Beech
LJ-6000F	1'	1.07	2.07	0.94	2.74	1.37
LJ-6007	1'	1.62	2.74	1.35	4.28	2.14
LJ-6050	1'	1.07	2.07	0.94	2.74	1.37

• Stock part numbers are shaded

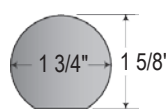
Rail & Shoerail

# Wall Rail

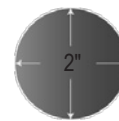
Wall Rail			
Part No.	Foot	Oak	Poplar
LJ-6039C	1'	6.85	4.45
LJ-6040C	1'	7.44	4.84
LJ-6041C	1'	9.36	6.09
LJ-6042C	1'	7.05	4.58



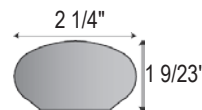
LJ-6039



LJ-6040



LJ-6041



LJ-6042

- Stock part numbers are shaded
- 25% adder for 15-16' lengths



(858) 614-1800

# Wall Rail Fittings



LJ-7001  
Matches LJ-6041



LJ-7005  
Matches LJ-6042



LJ-7023  
Matches LJ-6040



LJ-7002  
Matches LJ-6041



LJ-7003  
Matches LJ-6041



LJ-7006  
Matches LJ-6042



LJ-7007  
Matches LJ-6042



LJ-7024  
Matches LJ-6040



LJ-7025  
Matches LJ-6040

Wall Rail			
Part No.	Qty./Box	Oak	Poplar
LJ-7001	1	49.99	31.61
LJ-7002	1	41.24	26.08
LJ-7003	1	44.98	28.45
LJ-7005	1	49.99	31.61
LJ-7006	1	41.24	26.08
LJ-7007	1	44.98	28.45
LJ-7023	1	49.99	31.61
LJ-7024	1	44.92	26.08
LJ-7025	1	44.98	28.45

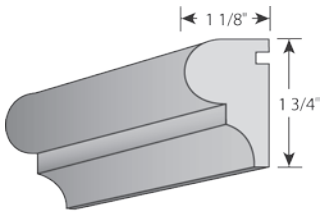
- Stock part numbers are shaded



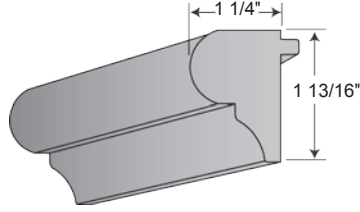
(858) 614-1800

(858)614-1800 to place your order or send us your order via fax at (858)614-1811

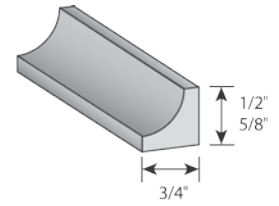
# Treads & Risers



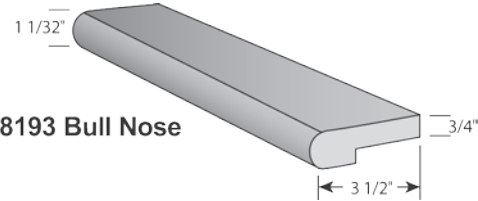
**8177**  
False Tread Mould



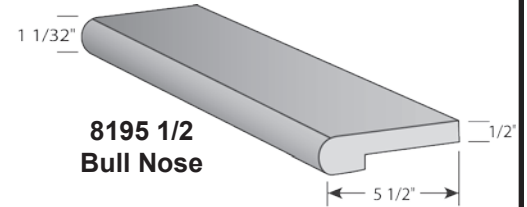
**LJ-8078**  
False Tread Moulding



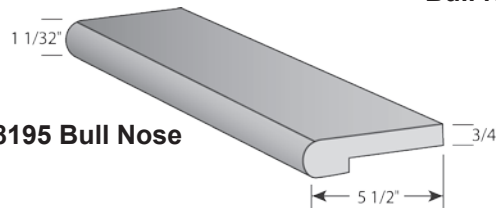
**819605075 - 1/2" x 3/4"**  
**819606075 - 5/8" x 3/4"**  
Cove Moulding



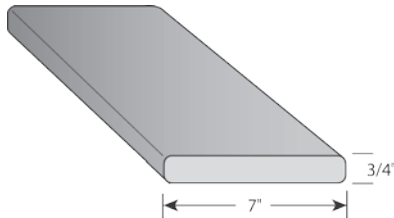
**8193 Bull Nose**



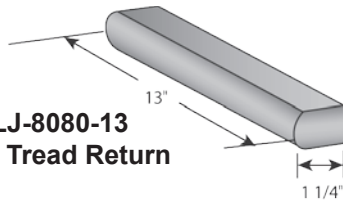
**8195 1/2**  
Bull Nose



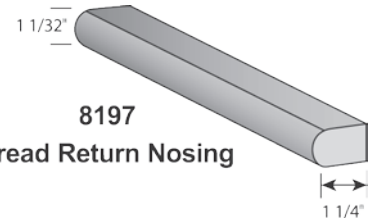
**8195 Bull Nose**



**8198**  
Wall Cap



**LJ-8080-13**  
Oak Tread Return



**8197**  
Tread Return Nosing

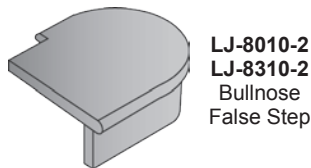
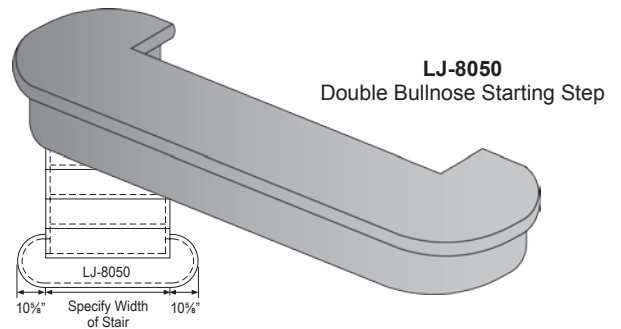
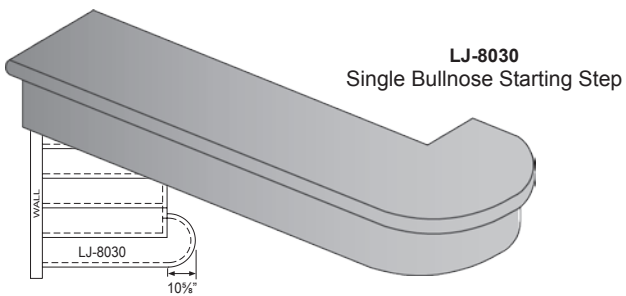
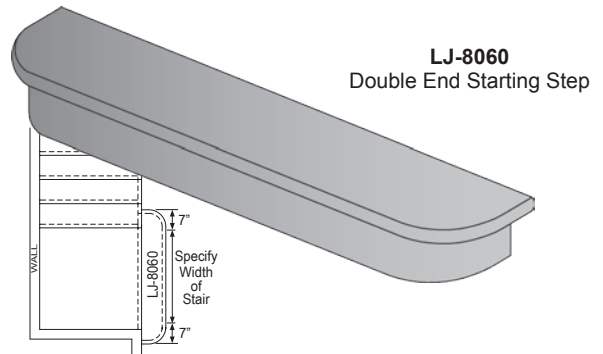
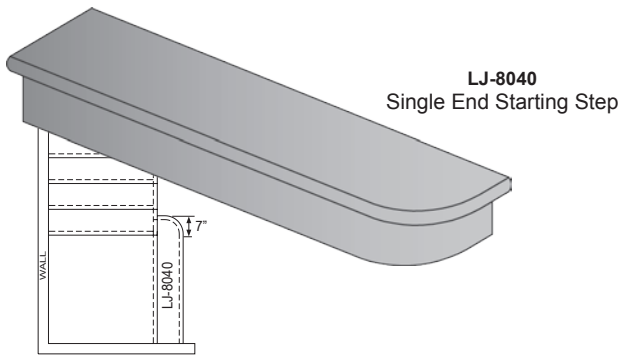
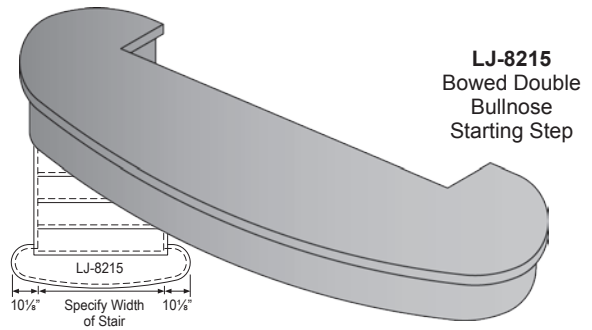
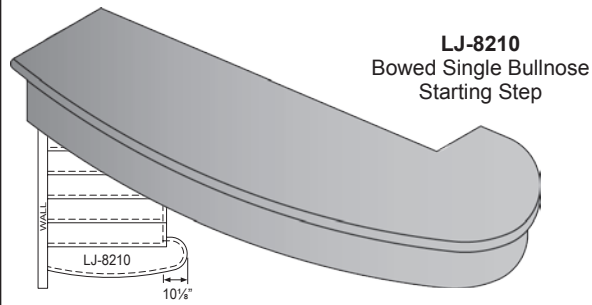
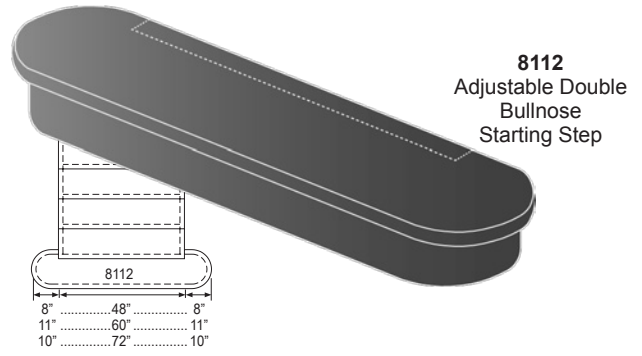
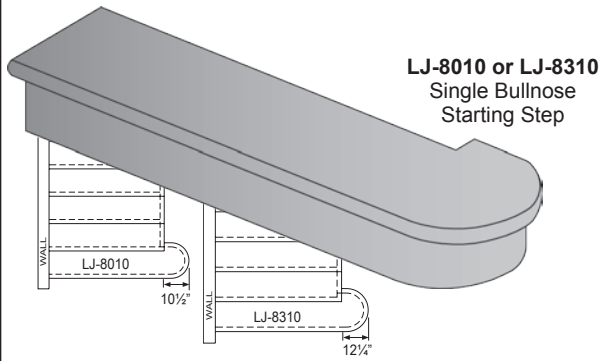
Treads & Risers						
Part No.	Qty./ Box	Oak	Maple	Poplar	Cherry	Euro Beech
<b>8177-TM</b>	<b>1</b>	<b>5.89</b>	<b>11.63</b>	<b>N/A</b>	<b>15.86</b>	<b>N/A</b>
<b>8193-BN</b>	<b>1</b>	<b>5.67</b>	<b>8.93</b>	<b>3.77</b>	<b>N/A</b>	<b>N/A</b>
<b>8197-TN</b>	<b>1</b>	<b>4.04</b>	<b>6.87</b>	<b>N/A</b>	<b>N/A</b>	<b>N/A</b>
<b>8198-WC</b>	<b>1</b>	<b>8.50</b>	<b>16.34</b>	<b>N/A</b>	<b>17.67</b>	<b>14.70</b>
<b>8195-BN</b>	<b>1</b>	<b>10.14</b>	<b>14.33</b>	<b>6.97</b>	<b>23.49</b>	<b>13.61</b>
<b>81951/2-BN</b>	<b>1</b>	<b>10.14</b>	<b>14.33</b>	<b>6.97</b>	<b>23.49</b>	<b>13.61</b>
<b>819605075</b>	<b>1</b>	<b>0.94</b>	<b>1.43</b>	<b>0.86</b>	<b>N/A</b>	<b>1.36</b>
<b>819606075</b>	<b>1</b>	<b>1.03</b>	<b>1.57</b>	<b>0.94</b>	<b>N/A</b>	<b>1.49</b>
<b>LJ-8078</b>	<b>1</b>	<b>5.89</b>	<b>11.63</b>	<b>N/A</b>	<b>15.86</b>	<b>N/A</b>
<b>LJ-8080-13</b>	<b>1</b>	<b>8.09</b>	<b>N/A</b>	<b>N/A</b>	<b>N/A</b>	<b>N/A</b>

• Stock part numbers are shaded



(858) 614-1800

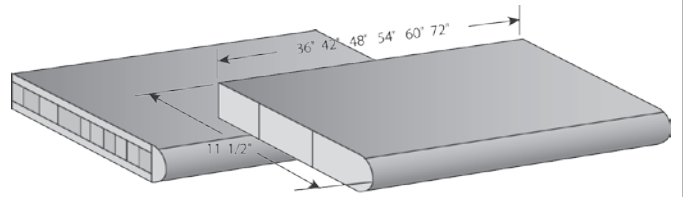
# Treads & Risers



(858) 614-1800

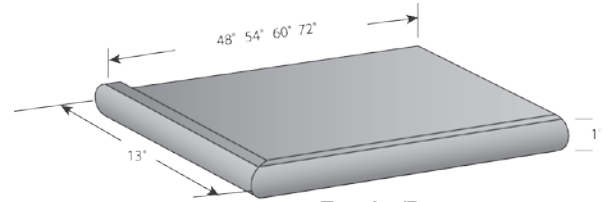
# Treads & Risers

Part No.	Qty/Box	Oak	Maple	Poplar	Cherry
LJ-8010-48	1	248.74	280.99	---	364.92
LJ-8010-54	1	272.27	308.41	---	401.95
LJ-8010-60	1	295.80	335.81	---	434.83
LJ-8010-2	1	131.02	168.84	111.24	189.00
LJ-8310-48	1	314.62	369.26	---	462.50
LJ-8310-54	1	357.42	412.06	---	526.07
LJ-8310-60	1	400.22	454.86	---	588.32
LJ-8310-2	1	157.22	202.61	133.49	226.80
8112-48	1	362.56	412.20	---	532.97
8112-60	1	402.99	474.03	---	592.99
8112-72	1	485.21	535.86	---	711.66
LJ-8210-48	1	544.81	626.32	---	800.61
LJ-8210-54	1	608.72	700.03	---	894.83
LJ-8210-60	1	672.64	773.54	---	989.11
LJ-8215-48	1	831.81	956.58	---	1147.89
LJ-8215-54	1	924.90	1063.62	---	1293.00
LJ-8215-60	1	1027.62	1181.76	---	1427.81
LJ-8030-48	1	273.42	314.43	---	401.92
LJ-8030-54	1	316.22	363.65	---	464.74
LJ-8030-60	1	359.02	412.87	---	527.82
LJ-8040-48	1	208.33	239.58	---	306.24
LJ-8040-54	1	251.13	288.80	---	369.63
LJ-8040-60	1	293.93	338.02	---	430.97
LJ-8050-48	1	406.94	467.99	---	598.20
LJ-8050-54	1	449.74	517.21	---	661.12
LJ-8050-60	1	492.54	566.43	---	724.04
LJ-8060-48	1	320.85	368.97	---	471.87
LJ-8060-54	1	363.65	418.19	---	534.56
LJ-8060-60	1	406.45	467.41	---	597.48
807011x36	1	47.95	83.37	---	83.90
E8170-36	1	40.75	N/A	N/A	N/A
807011x42	1	55.94	97.27	---	131.90
E8170-42	1	47.55	N/A	N/A	N/A
807011x48	1	62.40	109.10	---	138.78
E8170-48	1	53.04	N/A	N/A	N/A
807011x54	1	78.58	125.59	---	145.65
E8170-54	1	66.79	N/A	N/A	N/A
807011x60	1	83.57	140.84	---	N/A
E8170-60	1	71.04	N/A	N/A	N/A
807011x72	1	112.82	N/A	---	N/A
E8170-72	1	84.62	N/A	N/A	N/A
E8170RET-48	1	70.20	N/A	N/A	N/A
E8170RET-54	1	88.40	N/A	N/A	N/A
E8170RET-60	1	94.02	N/A	N/A	N/A
E8170RET-72	1	112.82	N/A	N/A	N/A
807011x481RV	1	78.00	136.37	---	---
807011x541RV	1	98.23	156.98	---	---
807011x601RV	1	104.46	176.06	---	---
807011x721RV	1	141.03	---	---	---
8171-LH	1	18.60	24.46	---	26.80
8171-RH	1	18.60	24.46	---	26.80
8172-WT	1	9.49	12.31	---	14.39
8176-RI	1	4.12	4.58	---	4.98
LJ-8079	1	19.37	25.35	---	27.03
8403-PN	1	1.53	2.96	1.28	3.43
8404-PN	1	2.90	4.69	2.00	6.38
8405-PN	1	3.33	5.32	2.29	7.32

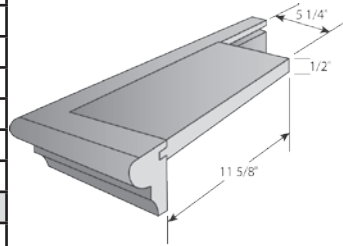


E8170  
Tread/No Return

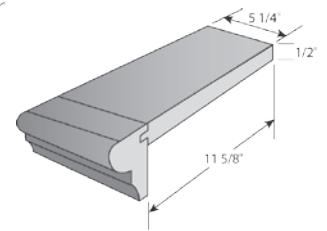
8070  
Tread/No Return



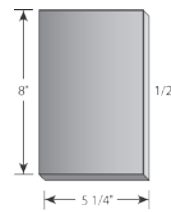
Tread w/Return  
E8170RET (Engineered)  
80701RV (Solid)



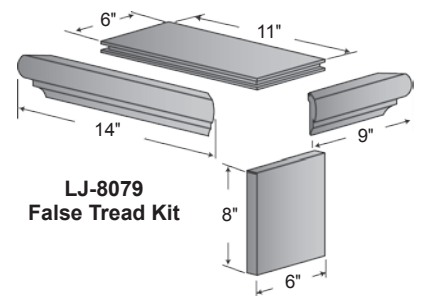
8171 Returned Tread Cap  
(Specify right or left/Left is pictured)



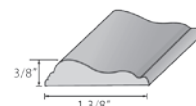
8172 Tread Cap



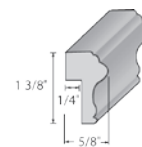
8176 False Riser



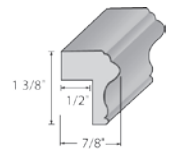
LJ-8079  
False Tread Kit



8403 Panel Moulding

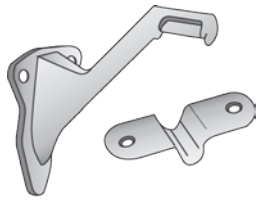


8404 Rabbet Panel Moulding



8405 Rabbet  
Panel Moulding

• Stock part numbers are shaded



**LJ-3012**  
Wall Rail Bracket

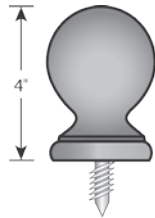


**LJ-3027**  
Wall Rail Bracket  
(Solid Brass)

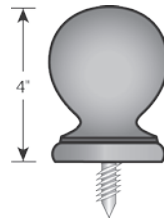


**LJ-3127**  
Wall Rail Bracket  
(Heavy Duty)

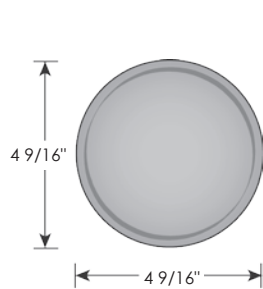
Handrail Brackets						
Part No.	Brass	Satin Nickel	Polished Chrome	Black Matte	Antique Nickel	Oil Rubbed Bronze
LJ-3012	4.02	4.02	4.02	4.02	4.02	4.02
LJ-3027	12.17	N/A	N/A	N/A	N/A	N/A
LJ-3127	5.83	5.83	5.83	5.83	5.83	5.83



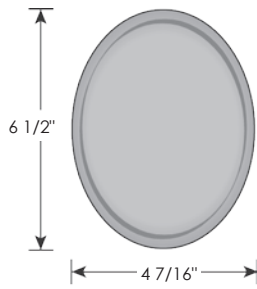
**3007**  
3" Ball Top



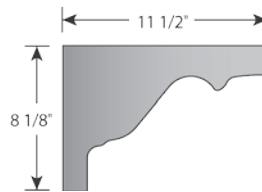
**3008**  
3 1/2" Ball Top



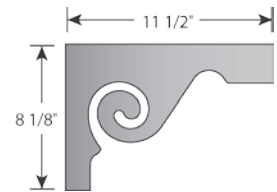
**LJ-7026**  
Rosette



**LJ-7027**  
Rosette



**LJ-7028**  
Decorative Bracket

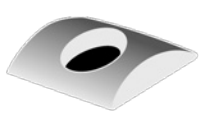


**LJ-7029**  
Scroll Bracket

Wood Accessories						
Part No.	Product Description	Oak	Maple	Poplar	Cherry	Euro-Beech
3007-BT	3" Ball Top Finial	10.79	11.68	8.09	15.04	12.40
3008-BT	3 1/2" Ball Top Finial	13.48	14.43	10.79	16.68	13.39
LJ-7026	Round Rosette	5.29	5.94	4.63	7.83	6.21
LJ-7027	Oval Rosette	5.29	5.94	4.63	7.83	6.21
LJ-7028	Decorative Tread Bracket	5.90	8.38	4.65	10.24	8.06
LJ-7029	Scrolled Tread Bracket	6.21	8.82	4.90	10.77	8.49



(858) 614-1800



**S-3101**  
Curved Washer  
(Plastic)



**2812**  
Flat Washer 5/16



**2813**  
Nut 5/16



**3000**  
3 1/2" Rail Bolt



**3000-5**  
5" Rail Bolt



**LJ-3000 (1")**  
**LJ-3003 (1 1/2")**  
**LJ-3024 (1/2"-100 Pack)**  
**LJ-3025 (1"-25 Pack)**  
Tapered Plug



**LJ-3001**  
Rail Bolt



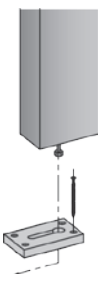
**LJ-3076**  
Dowel-Fast Screws  
(50 Per Pack)



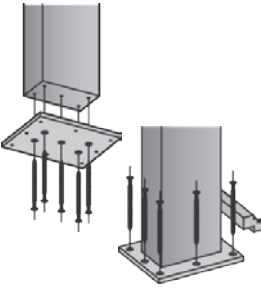
**LJ-3026 (1/2"-50 Pack)**  
Button Plug



**LJ-3004**  
Newel Mounting  
Kit



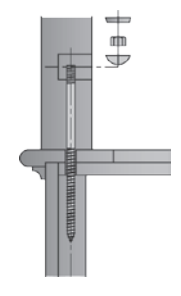
**LJ-3005**  
Keylock Newel  
Post Fastener



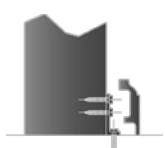
**LJ-3006**  
Newel Mounting  
Plate



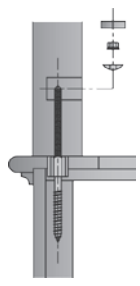
**LJ-3007HDWE**  
Hardware Kit



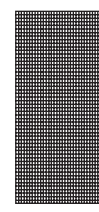
**LJ-3008 (16")**  
**LJ-3008-10 (10")**  
Sure-Tite Newel Fastener



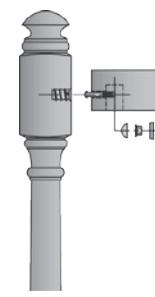
**LJ-3009 (3" Newels)**  
**LJ-3019 (3 1/2" Newels)**  
Angle Bracket Newel  
Post Fastener



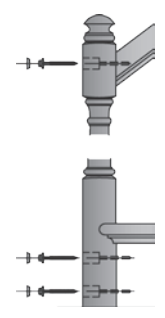
**LJ-3070**  
Threadlock Newel  
Post Fastener



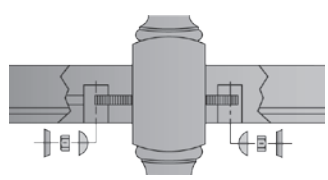
**LJ-3074 (16 Pack)**  
Mr. Grip™



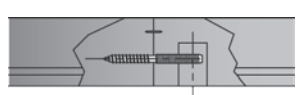
**LJ-3075**  
Flush Mount Kit



**LJ-3078**  
Rail & Post Fastener



**LJ-3077**  
Rails2Post Connector



**LJ-3079**  
**LJ-3080 (10 Pack)**  
Rail Bolt Kit



**6100E**  
Multi-Purpose Adhesive  
(Use with Iron Balusters)

Hardware	
Part No.	Price
2812-FWMT	0.05
2813-NTMT	0.05
3000-3.5-RBMT	0.94
3000-5-RBMT	1.37
LJ-3001	2.21
S-3101	0.27
LJ-3004	11.31
LJ-3005	17.46
LJ-3074	9.05
LJ-3076	13.58
LJ-3077	9.54
6100E-10AD	16.20

Fasteners & Hardware					
Part No.	Oak	Maple	Poplar	Cherry	Euro Beech
LJ-3000	0.64	0.54	0.48	0.89	0.49
LJ-3003	1.28	1.34	1.21	2.23	1.27
LJ-3006	27.47	22.10	21.18	29.71	N/A
LJ-3007HDWE	8.71	8.15	8.00	9.60	N/A
LJ-3008	17.66	17.66	17.66	17.66	N/A
LJ-3008-10	17.66	17.66	17.66	17.66	N/A
LJ-3009	23.57	18.99	18.26	25.95	N/A
LJ-3019	23.57	18.99	18.26	25.95	N/A
LJ-3024	29.47	29.38	29.37	31.15	N/A
LJ-3025	13.58	10.98	9.83	20.14	10.43
LJ-3026	15.42	15.34	15.28	17.85	N/A
LJ-3070	13.96	N/A	13.96	13.96	13.96
LJ-3075	6.43	6.38	6.31	6.68	N/A
LJ-3078	1.37	1.34	1.28	1.47	N/A
LJ-3079	2.89	2.85	2.82	3.01	N/A





**LJ-3031**  
Chuck-Buster



**LJ-3032**  
Rail Bolt  
Runner



**LJ-3033**  
Dowel-Runner



**LJ-3034**  
Screw-Runner



**LJ-3035**  
Centaur



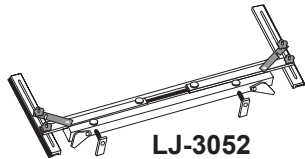
**LJ-3036**  
Dowel-Fast  
Tap



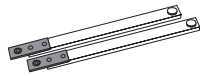
**LJ-3085**  
Insert  
Runner



**LJ-3044**  
VersaTool



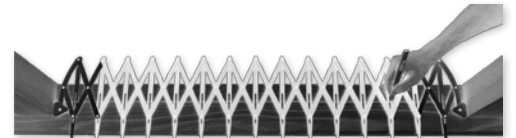
**LJ-3052**  
Stair Wizard



**LJ-3053**  
Stair Wizard  
Extensions



**LJ-3060**  
Bore Buster  
**LJ-3061**  
Bore Buster Plus



**LJ-3090**  
BalconyPro



**LJ-3090-1**  
BalconyPro Single  
Marker Stick



**LJ-3049**  
Drill Bit Pack



**LJ-3062**  
Tool Bag



**LJ-3064**  
Tool Pack 1



**LJ-3066**  
Tool Pack 2



**LJ-3047**  
Telescoping  
Baluster  
Marking Tool



**LJ-3084 Baluster Runner Set**  
**LJ-3084-1 1 1/4" Baluster Runner**  
**LJ-3084-2 1 3/4" Baluster Runner**  
**LJ-3084-3 Baluster Wrench**



**C-88**  
Baluster  
Centerline  
Tool

Hardware	
Part No.	Price
LJ-3031	49.24
LJ-3032	15.55
LJ-3033	15.55
LJ-3034	21.11
LJ-3035	28.83
LJ-3036	66.46
LJ-3044	13.76
LJ-3047	168.46
LJ-3049	502.78

Hardware	
Part No.	Price
LJ-3052	347.87
LJ-3053	77.52
LJ-3060	1010.76
LJ-3061	1555.02
LJ-3062	117.92
LJ-3064	389.58
LJ-3066	1028.70
LJ-3084	151.21
LJ-3084-1	49.46
LJ-3084-2	67.67
LJ-3084-3	16.38
LJ-3085	32.90
LJ-3090	187.71
LJ-3090-1	8.63
C-88	6.99